

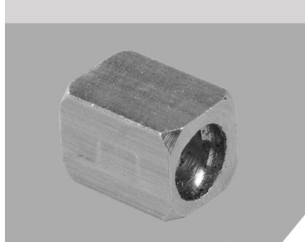
# S210 Manual Window Control Fitting Instructions

1. Decide upon operator position, normally between 1200-1500mm FFL, allowing at least 230mm from centre of operator to any obstructions for hand clearance.
2. Unscrew collar from front of the operator and lift off cover. Place steel backplate in position on wall or framework and mark fixing holes. Remove plate and drill the 3 holes, fit rawl plugs provided, fix backplate and gearbox to wall with the 2 No. 70mm screws & 1 No. 50mm screw or use suitable alternative.
3. Remove the conduit clamp/plate on the side of the operator that will run to the chain openers/screwjack (the conduit can be assembled to either entry, the left-hand entry giving clockwise rotation of the handle with cable in tension (pulling)), and insert pre-prepared conduit into collar and replace clamp, ensuring that the groove in the conduit remains on the collar.
4. Complete the installation of the rest of the conduit and vent units.
5. Feed the end of the cable into the vacant entry point until it reaches the cable wheel place the handle on to the operator and wind the cable until it appears out of the spent travel conduit (length specified in chain opener/screwjack instructions) at the other end of the run (after opener). Wind back, until flush with end of the tube.
6. Cut the cable at the operator end where it enters with enough cable showing to fit a spring stop.(fig 1) (ensuring that after cutting you file the edges smooth).
7. Fit the spring stop
8. Fit the spent travel conduit as in to the vacant operator port this should be as long as the spent travel conduit specified with chain opener or screwjack opener.
9. Replace the cover and bezel ring.
10. Finally when the chain opener/screwjack is fitted and in the closed position fit the handle in the vertical position and secure with grub screw.

>> S700



>> S720



>> fig 1



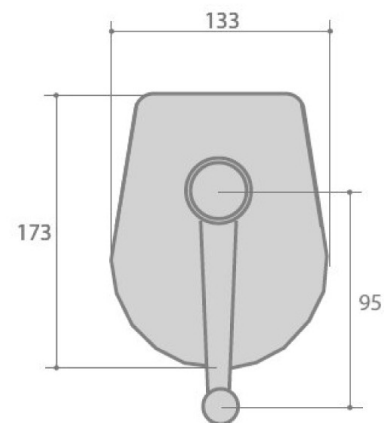
## Top Tips

The Spring Stops S700 (supplied separately) can be used to prevent the operator from “over-winding” causing the inner cable to disappear into the conduit.

The Brass Nut S720 supplied with the Mini Operator also prevents this “over-winding” effect.

Ensure the inner cable ends are de-burred allowing the spring stops and brass nuts to be positioned onto the end of the cable (turn anti-clockwise onto end of cable).

*To prevent misuse of windows the handle does not have to be secured with the threaded pin and can be stored in a secure location for authorised use only.*



Dimensions