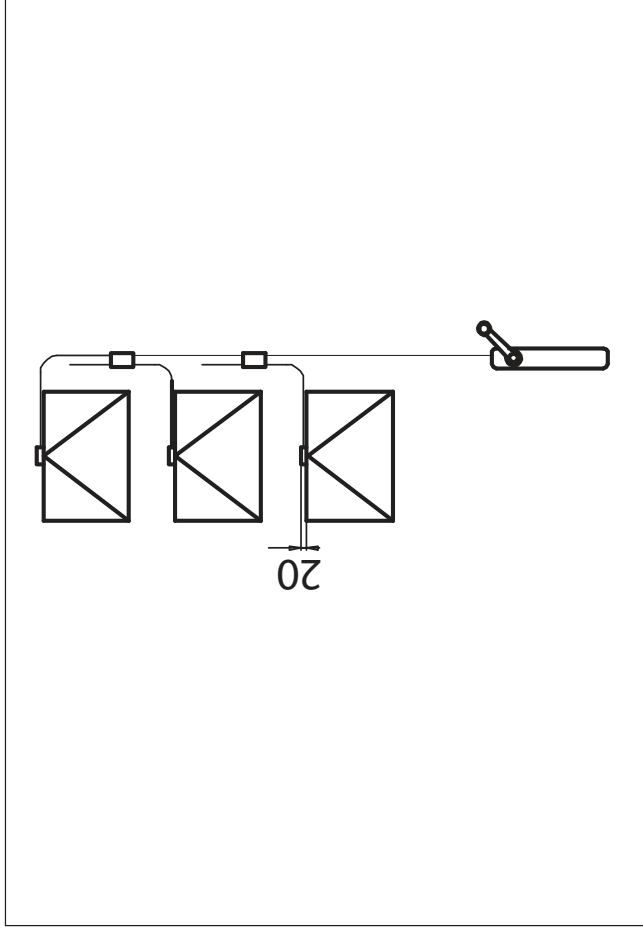
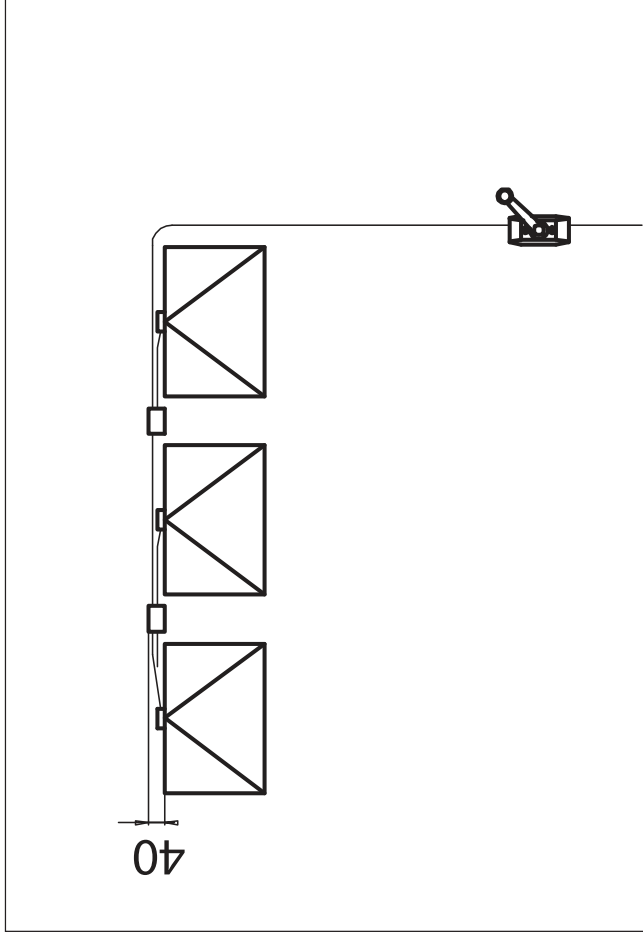


# S175 LOCKING OPENER

INSTALLATION EXAMPLES



Examples of multiple installation  
The dimensions are measured from the external limits of the vent and show  
the minimum necessary space.