

# S100 & S150 Manual Window Control

## Fitting instructions

1. Fix the chain base to the vertical leg of the window frame with the 2no M machine screws provided (D). Alternatively surface fix with the S740, S750 or the S760 brackets (supplied separately) to aluminium, PVC-U or timber windows respectively or if fixing to bottom hung open in window, use S850 bottom hung fixing kit (see drawing at the bottom of page).

2. Fit the vent bracket with the 2no 12mm Screws supplied (E) or use other screws appropriate to vent material. Be careful not to break the glass.

3. Unfasten screws (A) & (B) and remove the locking pin from the top of the chain opener. Remove the chain body from the chain base and put to one side with the screws and pin.

4. Locate the Pre-Prepared conduit into the collared slots on either side of the chain base (see S400 instructions for preparing conduit). A length of "spent travel" conduit must be fitted to the last chain opener.

SPENT TRAVEL CONDUIT:

300mm minimum for S100

450mm minimum for S150

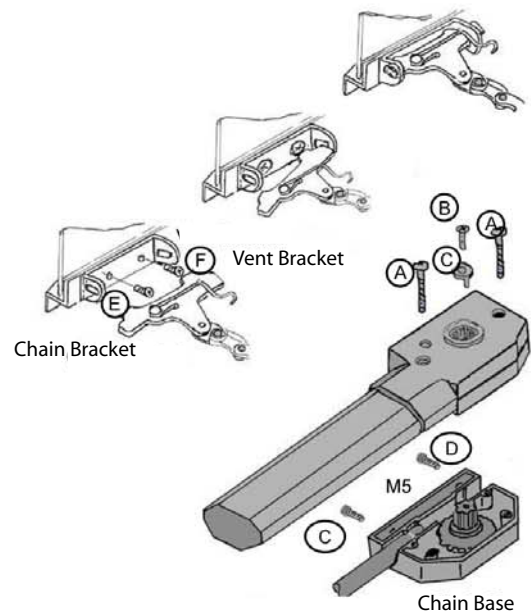
5. Fix the chain body to the chain base with the 2no. 25mm machine screws "A". Do not replace screw (B) or locking pin (C) at this stage.

6. Wind the cable from the operator through the conduit and the chain base(s) ensuring that the cable moves freely through the conduit.

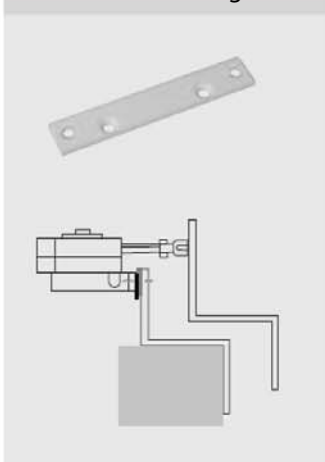
7. Cut the cable to length allowing an extra 280mm cable for S100 or 410mm for S150.

8. Push the vent open with your hand and attach the chain bracket to the vent bracket. Ensure the spring catch is secure.

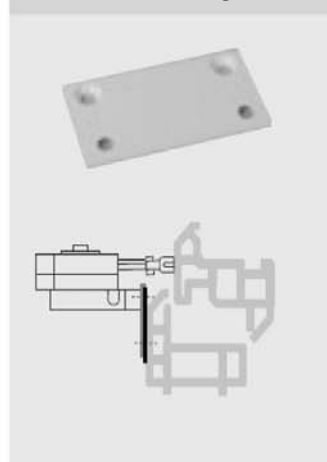
9. Pull the vent tightly shut with your hand and insert the locking pin (C) into the vacant slot on the keyway situated on top of the chain body. Open and close the vent with the operator to check the compression of sash and frame. Repeat operation placing pin in adjacent slot should you require further adjustment. Finally fasten locking pin with the 1no. 12mm machine screw. (B)



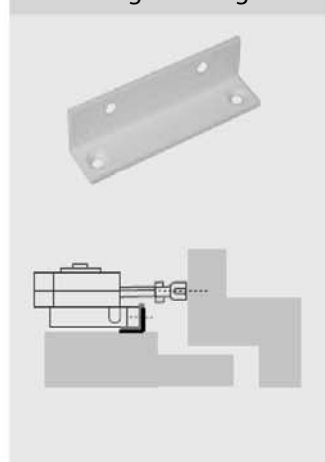
S740 Narrow Fixing Plate



S750 Wide Fixing Plate



S760 Angled Fixing Plate



S850 B-Hung Fixing Kit

