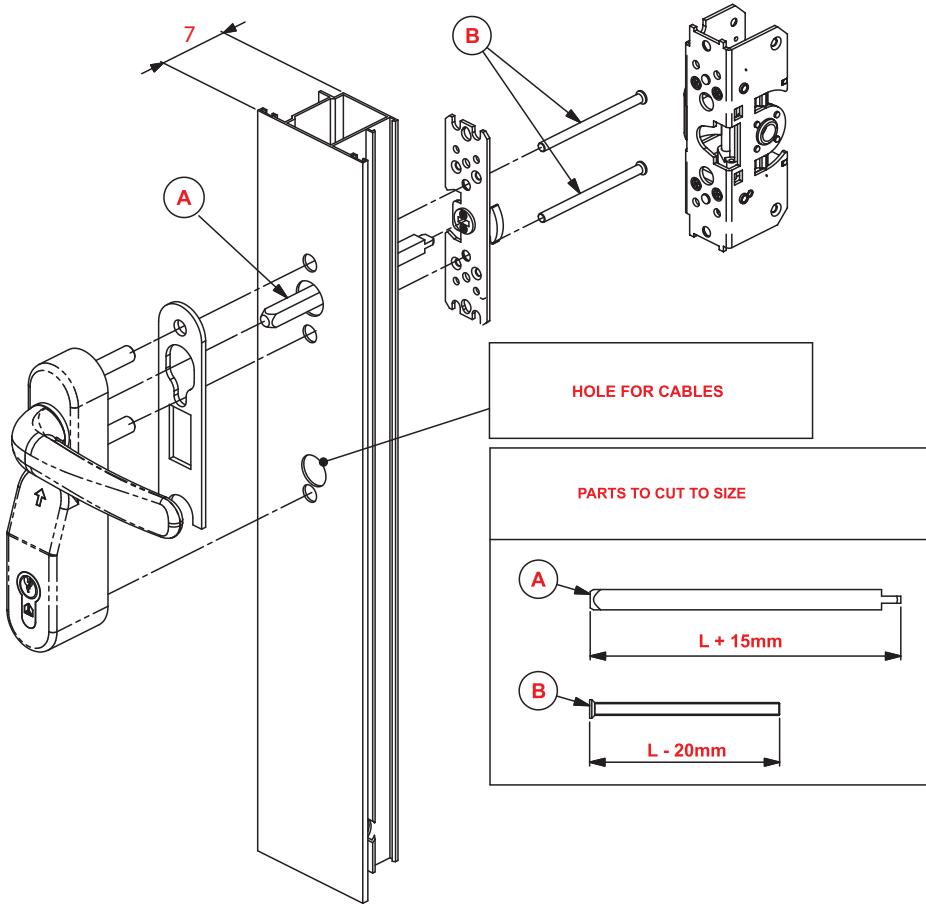
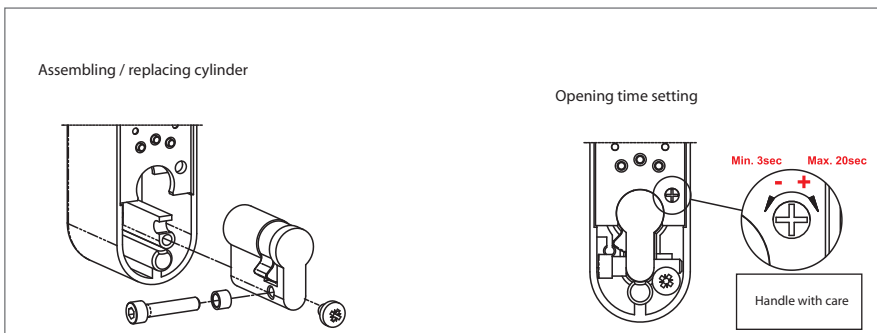
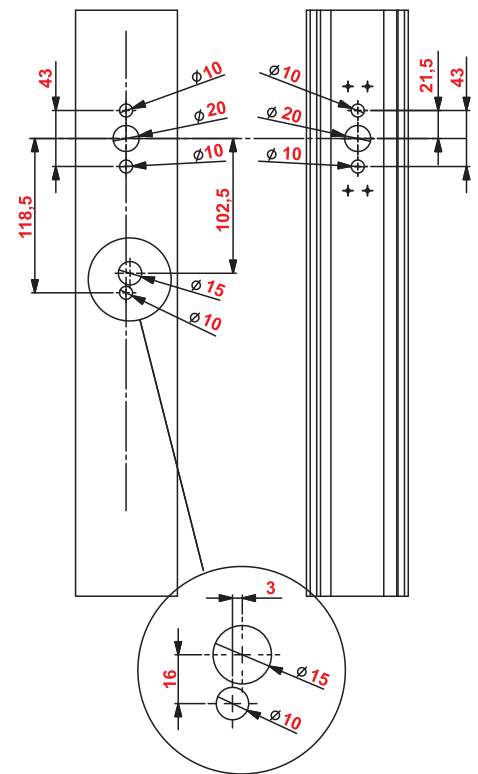


PH381 Electronic outside access

Preliminary workings on the profile

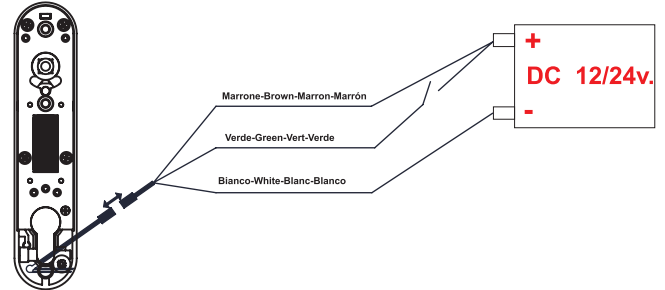
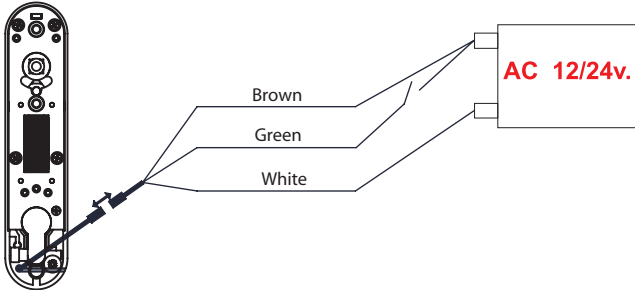


NOTE
This product is not IP rated



Electrical Connections

NOTE
This product is not IP rated



Technical documentation		Min. Value	Standard Value	Max Value
Power supply	AC DC	-10% -10%	12-24 12-24	+10% +15%
Standby power consumption	mA		22	35
Peak power consumption (1 sec)	mA		1100	1200
Holding current	mA (dc)		160	
Current draw in "hold open" mode	mA(dc)		130	
Opening time settings	sec		12	20

- 1) The trimmer enables the handle opening and closing time to be set from a minimum of 3 to a max 30 seconds, gently turn anticlockwise with a small screwdriver to reduce the time and clockwise to increase it.
- 2) Each time the lever is operated, the device switches back to idle irrespective of the set opening time.
- 3) If the handle receives an opening pulse while the lever is lowered, this pulse will be memorised for a certain period of time and when the lever is released the handle will be activated without there being any need for an additional opening pulse.
- 4) The electric pulse for activating the device can be given either via a pushbutton or a switch. In the latter case about 1 min after the switch is turned on the handle will go into the "HOLD OPEN" mode (doggin mechanism), that is it will remain in an activated state until the switch is turned off.

The changeover into the "HOLD OPEN" mode is confirmed by a faster blinking of the LED compared to the conventional mode. A typical situation is to have a push button and switch connected in parallel: with this configuration the user can decide whether to operate with the push button (single passage) or set it to remain activated for as long as the switch is left on. The switch can be replaced with an external programmer or any other device that the user judges most appropriate,

INSTALLATION NOTES:

It is advisable to use a cable gland to avoid damage to the electronic components.