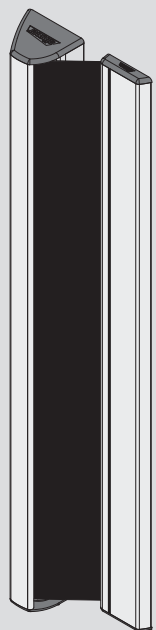


scope of supply



1 X



1 X



1 X

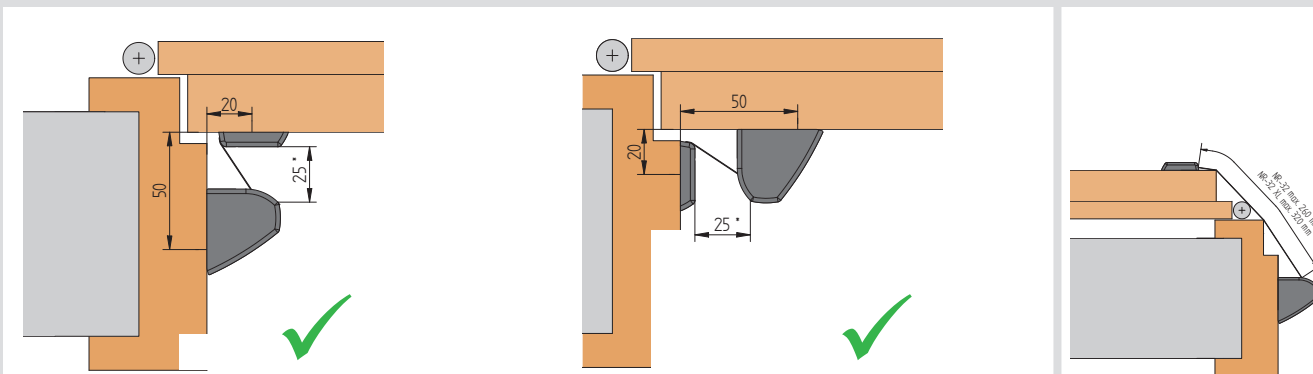


10 X

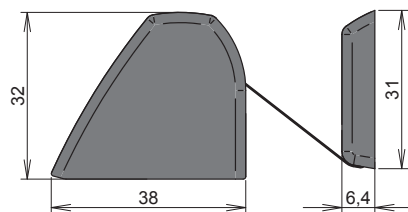


10 X

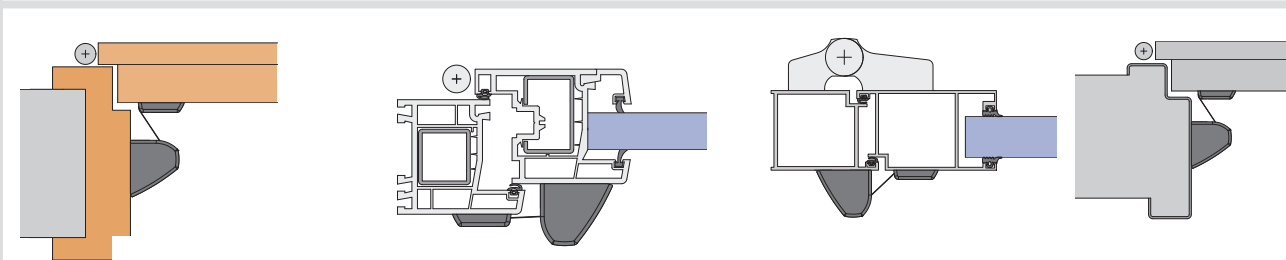
Technical Specifications / Alternative installation applications



* 25 mm minimum distance required.
According to BS EN 349.



FP600 Dimensions



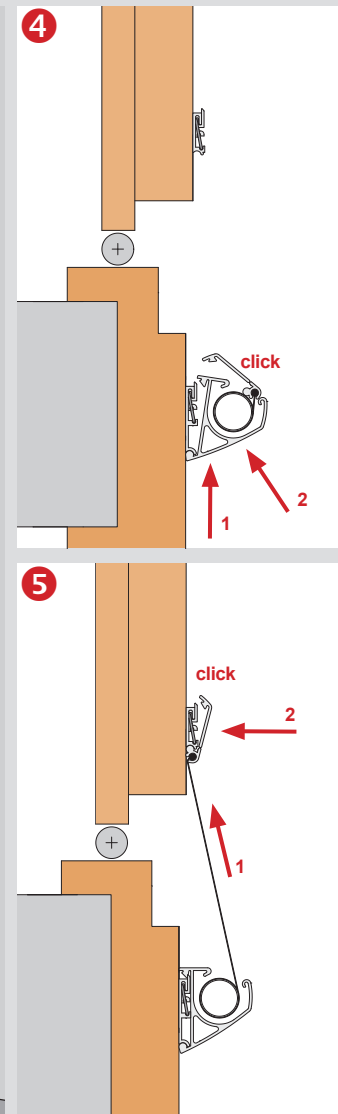
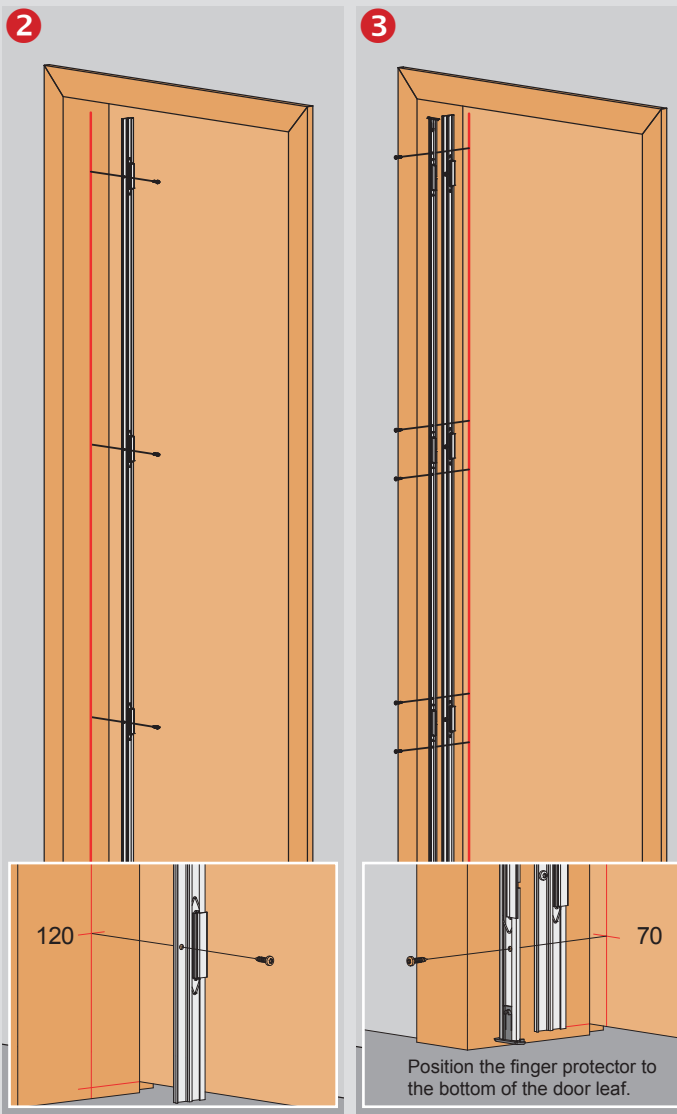
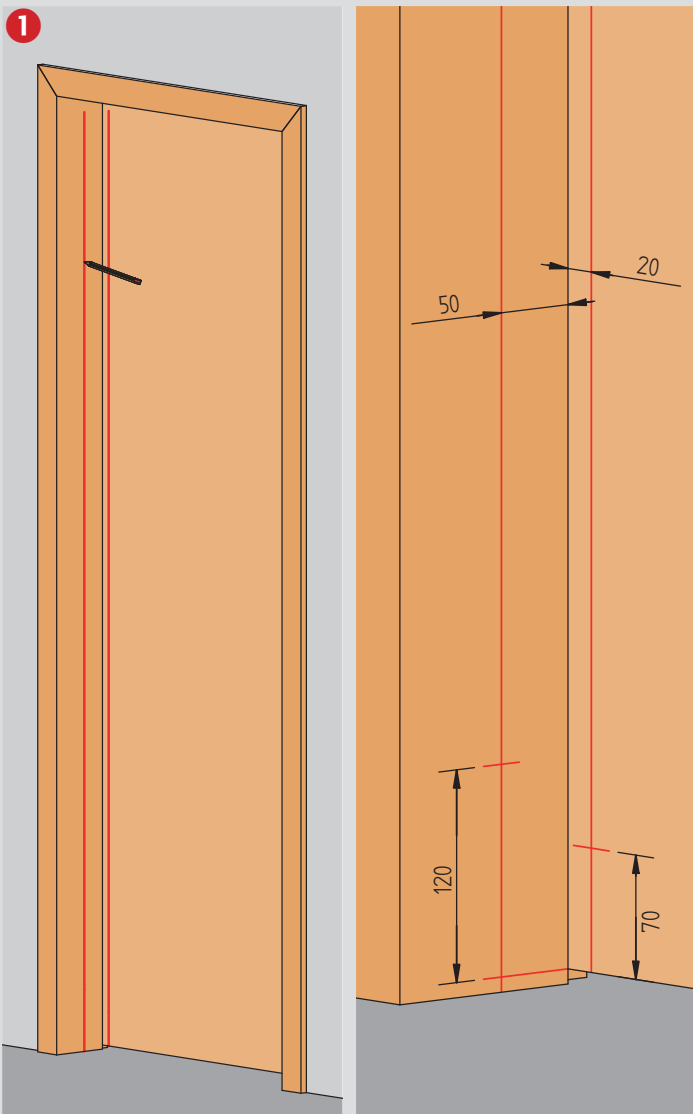
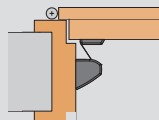
Installations for alternative door style / material.

optional ram protection

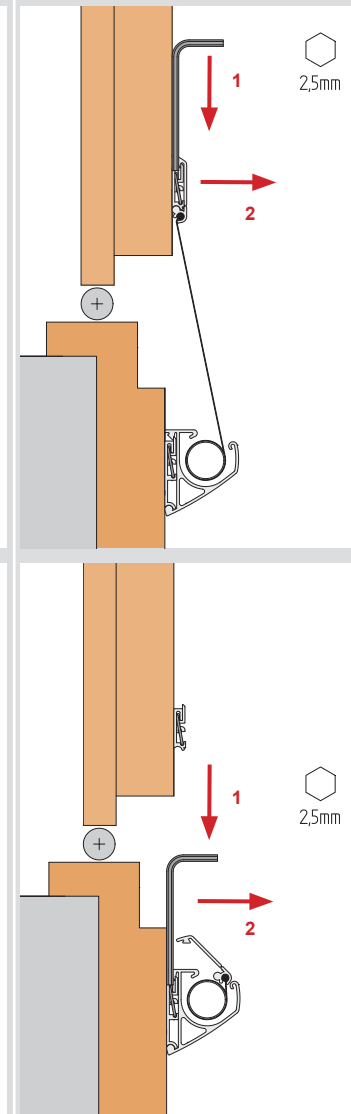


The use of finger protection does not obviate the duty of supervision. Technical specifications are subject to change.

assembly

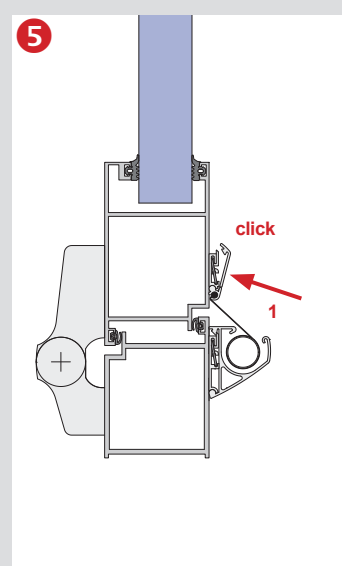
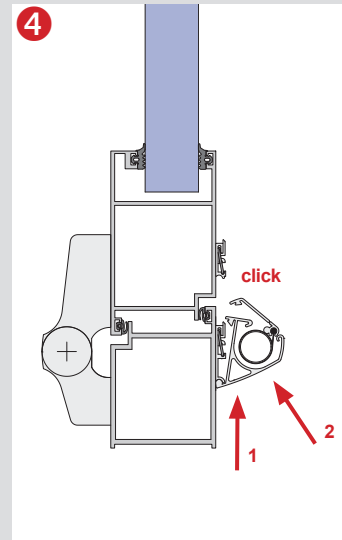
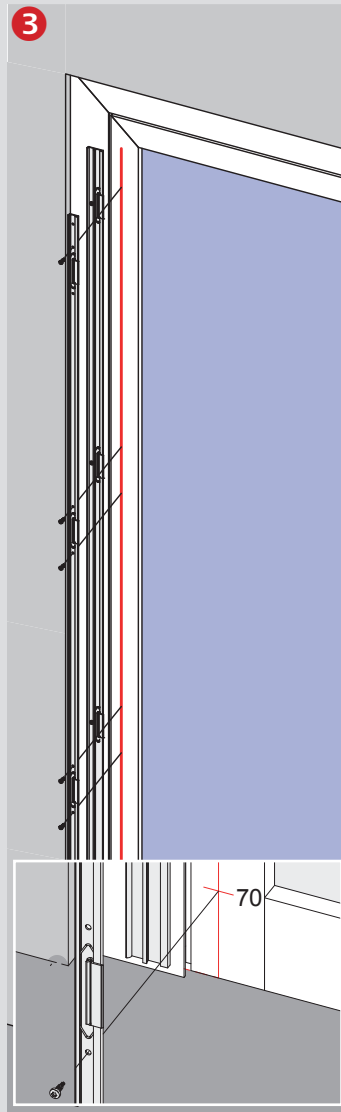
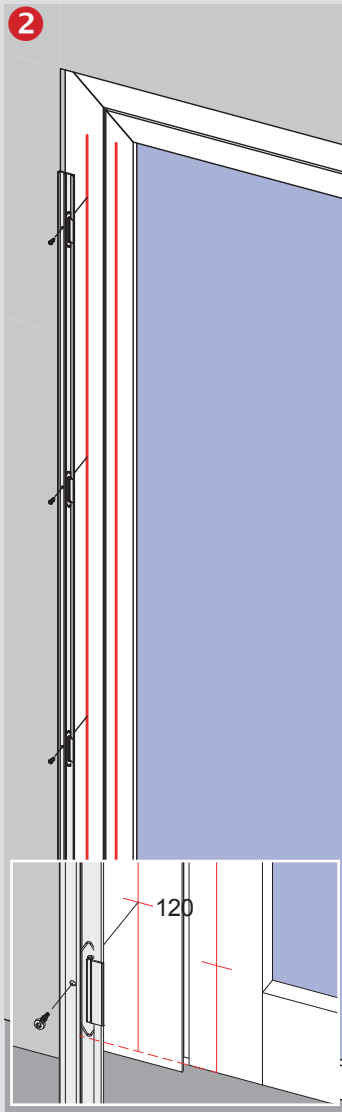
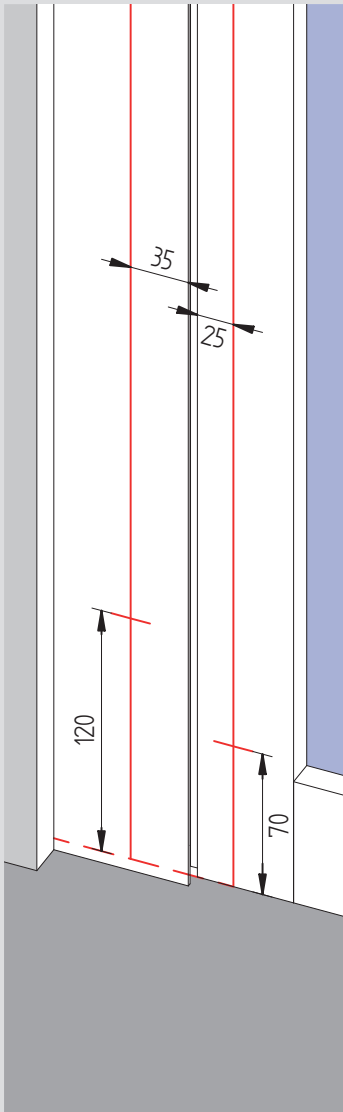
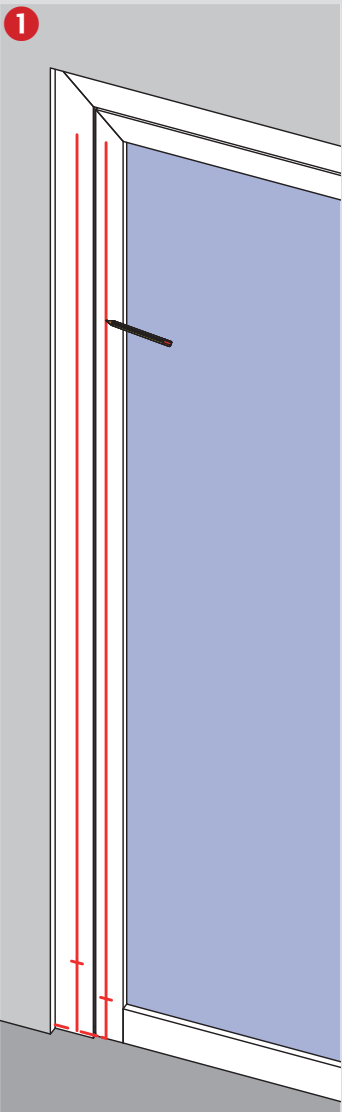
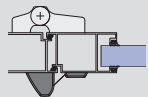


disassembly

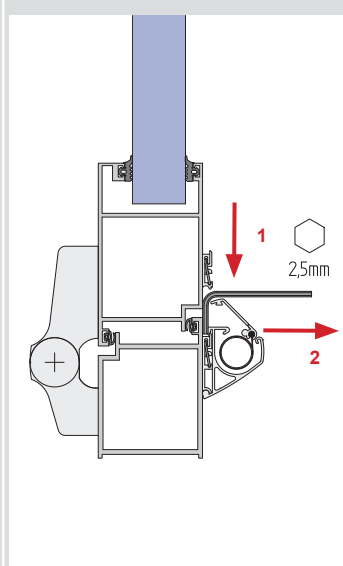
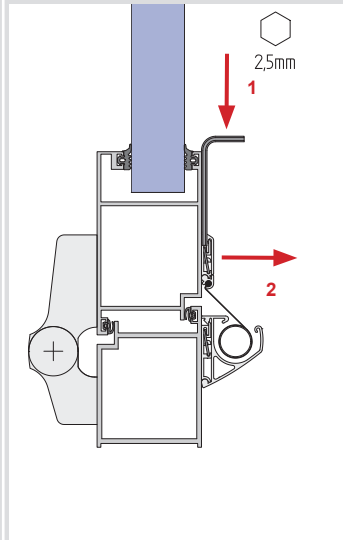


The use of finger protection does not obviate the duty of supervision. Technical specifications are subject to change.

assembly

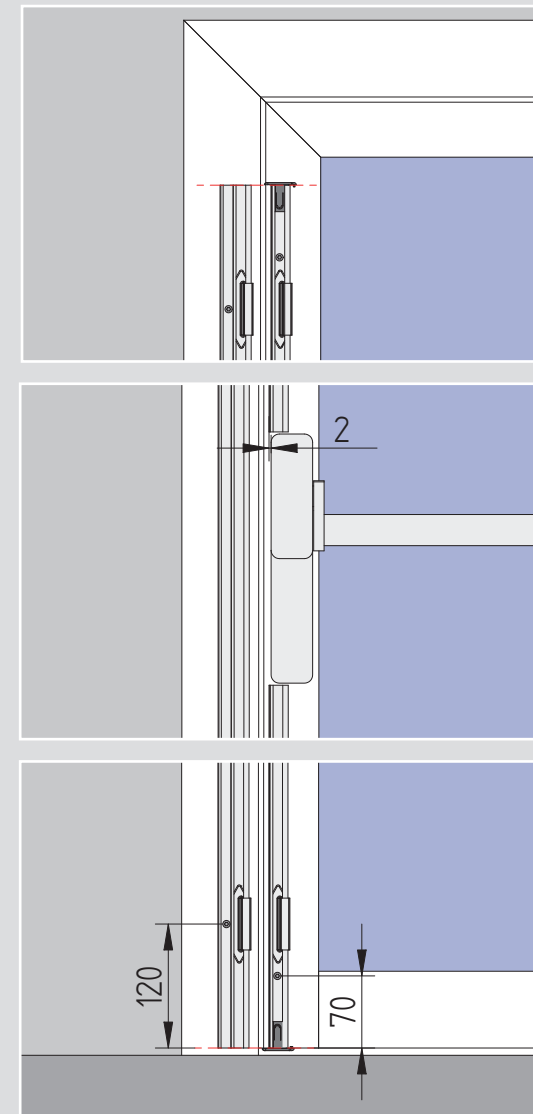
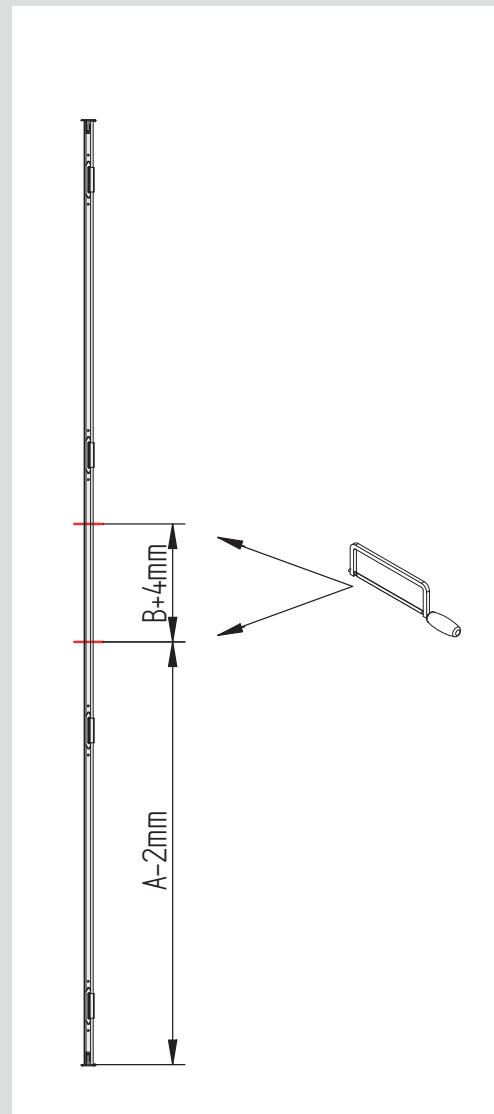
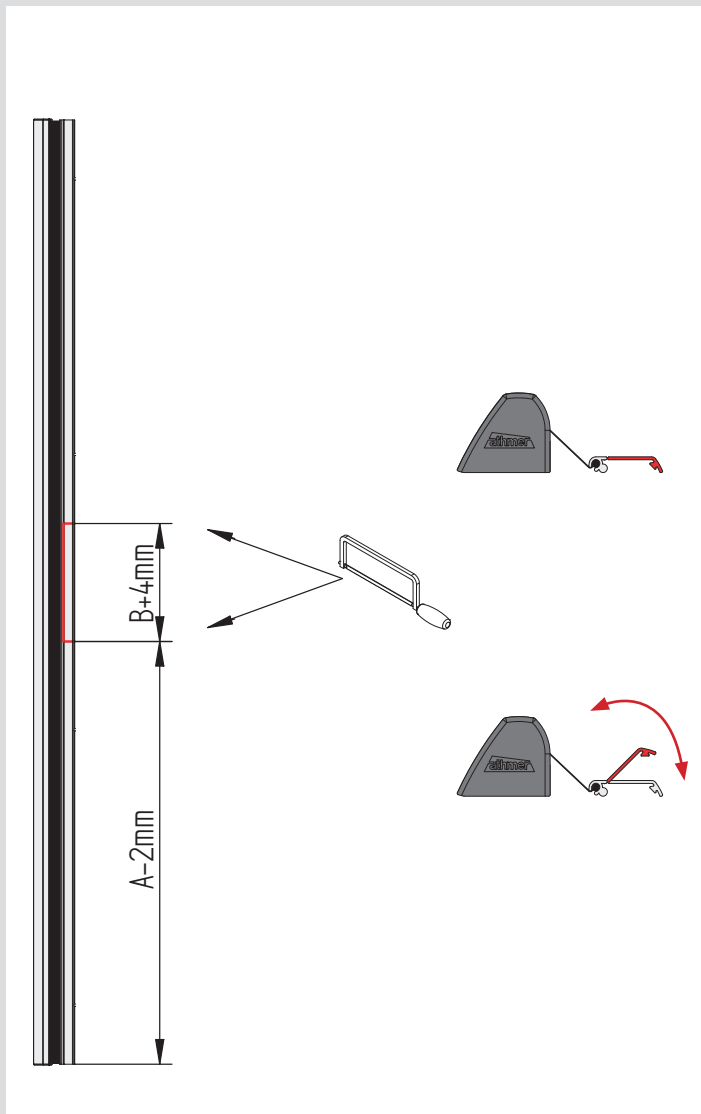
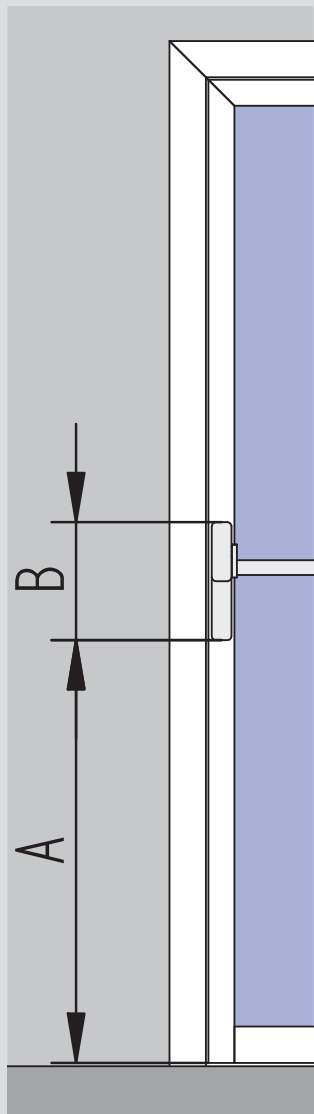


disassembly



The use of finger protection does not obviate the duty of supervision. Technical specifications are subject to change.

assembly with existing hardware devices like pushbar or touchbar



The use of finger protection does not obviate the duty of supervision. Technical specifications are subject to change.