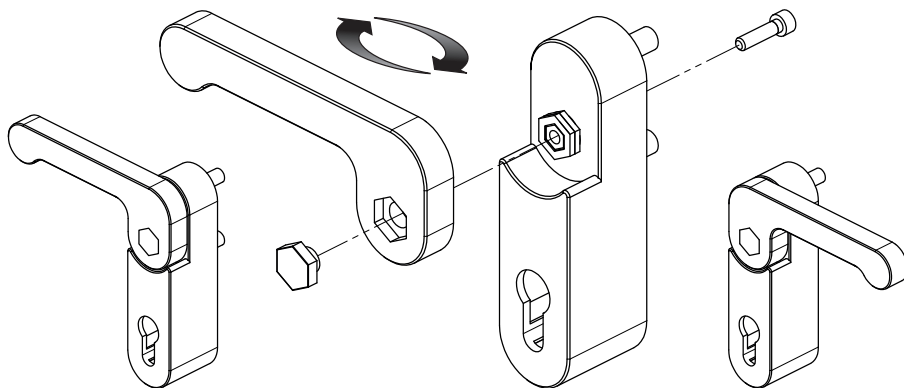
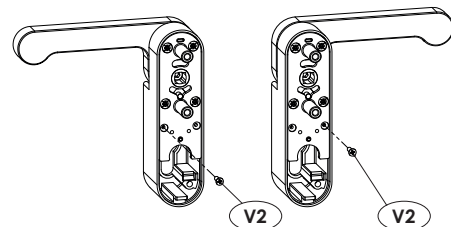


Setting the handing

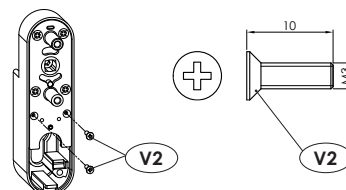


Back

Put the screw in the handle side

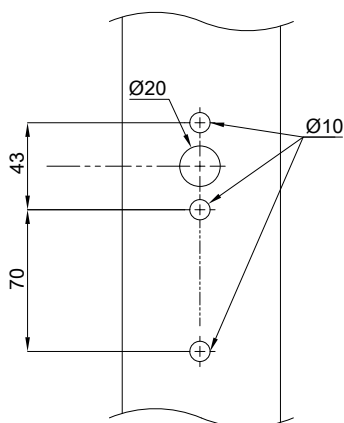


"Key retained" mode

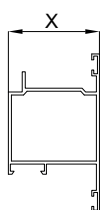
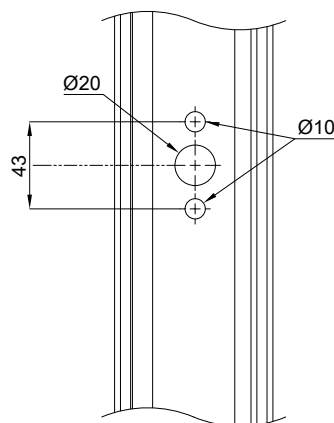


Holes for Outside Access

External



Internal



If both V2 screws are installed, the "key retained mode" is activated, which permit to open the door with key in, turned up to end limit, by lowering the lever handle. When the key is withdrawn the handle will return to neutral.

