

PHT50-PHT55-PHT57 Touch bar



<https://www.strandhardware.co.uk/images/PDF/DopTouchbar.pdf>

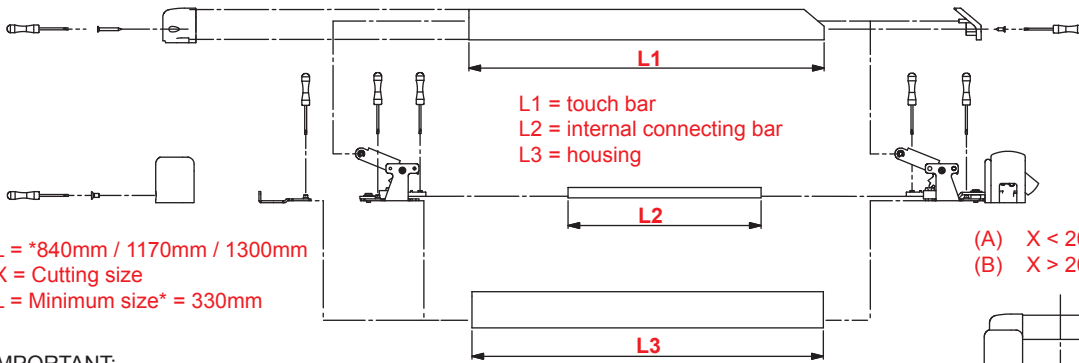
https://www.strandhardware.co.uk/images/UKCA-DOPs/UKCA_Panic_Hardware_SHWUKCA3.pdf

CE	UK CA	STRAND HARDWARE LIMITED
		Strand House Long St Premier Business Park Walsall West Midlands WS2 9DY ENGLAND
0425-1520-11	0843-1039	
EN1125: 2008		3-7-7-B-1-4-2-2-B-A



The safety features of this exit device are of fundamental importance to ensure its compliance with standard EN1125. No modifications of any kind to the device other than those described in the fitting instructions are permitted. This panic device may be fitted to fire or smoke door assemblies. Attention: Exit devices shall not include dogging (hold unlocked) when fitted to fire or smoke door assemblies - dogging can only be used on escape doors.

Please ensure the formula for reduction of aluminium profiles is followed accurately.



For reductions of less than 200mm cut touch bar L1 and housing L3 down to size using formula (A)

For reductions over 200mm it will be necessary to reduce internal connecting bar L2 using formula (B)

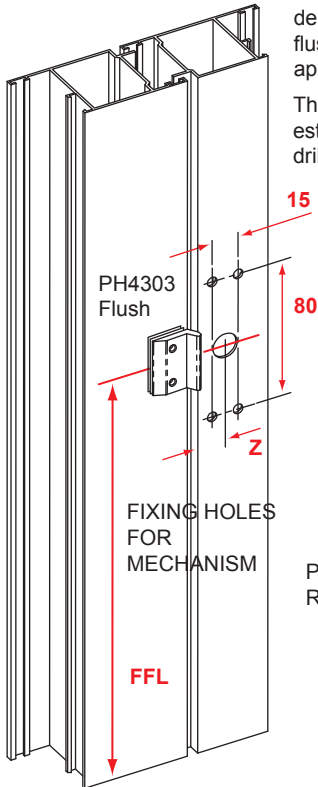
- (A) $X < 200\text{mm}$: $L1 - X$, $L3 - X$
- (B) $X > 200\text{mm}$: $L1 - X$, $L2 - (X - 200\text{mm})$, $L3 - X$

IMPORTANT:

Before the fitting of Outside Access Device (OAD) onto a door it is important to establish the correct position of the centre mechanism and appropriate striker.

Measurement Z varies depending on recessed, flush or stepped applications.

This measurement should be established before holes are drilled into door section



Fix centre mechanism onto door at appropriate height. The touch bar should be positioned between 900 - 1100mm from FFL ensuring good contact with centre striker.

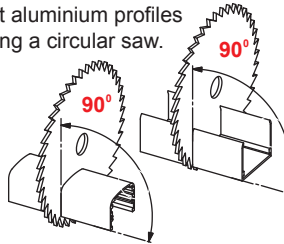
CAM

FIXING PLATE

PH4303 Recessed

Secure mechanism covers in place with V2 screws and re-tighten M4 screws

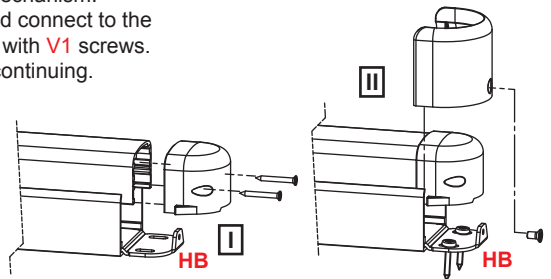
Cut aluminium profiles using a circular saw.



After completing the cutting of components, re-assembly centre mechanism to the housing, internal connecting bar and touch bar.

The fixing plate attached to the touch bar mechanism is supplied complete with integral cam. Ensure the cam is positioned as shown before fitting mechanism. Guide the mechanism and connect to the forked plate before fixing with V1 screws. Check operation before continuing.

Ensure fixing screws are securely fixed to the door material. For all glazed aluminium doors, housing bracket HB should extend across to the vertical section of door. Alternatively housing bracket HB can be fixed to midrail.



End cap components I & II can now be secured using screws provided

For flush applications the striker should be mounted on frame as shown. 1mm packers are provided with each striker

For stepped applications 4 - 8mm the striker can be rotated 180° as shown here.

For recessed situations the PH4303 should be turned 90 degrees to door face as shown - see page 4 (striker applications)

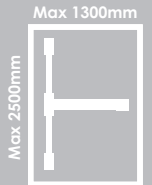
Component	Qty
V2	2
V1	6



<https://www.strandhardware.co.uk/images/PDF/DopTouchbar.pdf>

https://www.strandhardware.co.uk/images/UKCA-DOPs/UKCA_Panic_Hardware_UKCA_SHWUKCA3_12_9_22.pdf

CE	UK CA	STRAND HARDWARE LIMITED
		Strand House Long St Premier Business Park Walsall West Midlands WS2 9DY ENGLAND
0425-1520 - 11	0843-1039	
EN1125: 2008		3-7-7-B-1-4-2-2-B-A



The safety features of this exit device are of fundamental importance to ensure its compliance with standard EN1125. No modifications of any kind to the device other than those described in the fitting instructions are permitted.
 This panic device may be fitted to fire or smoke door assemblies.
 Attention: Exit devices shall not include dogging (hold unlocked) when fitted to fire or smoke door assemblies - dogging can only be used on escape doors.

Fix the centre mechanism of touchbar onto door section at appropriate height (touch bar should be positioned between 900 - 1100mm from FFL) ensuring good contact with centre striker if required.

Fix top and bottom pullmans ensuring good contact with top and bottom strikers.

Cut threaded rods to size ($X + 25\text{mm}$ & $Y + 25\text{mm}$)

Insert threaded rod **B** into connector **A** with lock-nuts **C** as shown.

Push **RG** rubber grommets over thread (2 per rod)

Insert threaded rod into riv-nut **D** of pullman latch and rotate.

Push connector **A** over bush of centre mechanism as shown.

Insert M4 screws **E** to secure connector in place

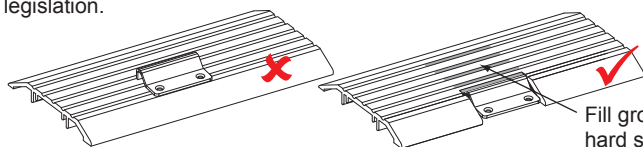
After final adjustments of rods are made, secure all lock-nuts making sure that all of the connections are tight.

Care should be taken to ensure any lost motion is prevented by adjustment of threaded rods and lock-nuts.

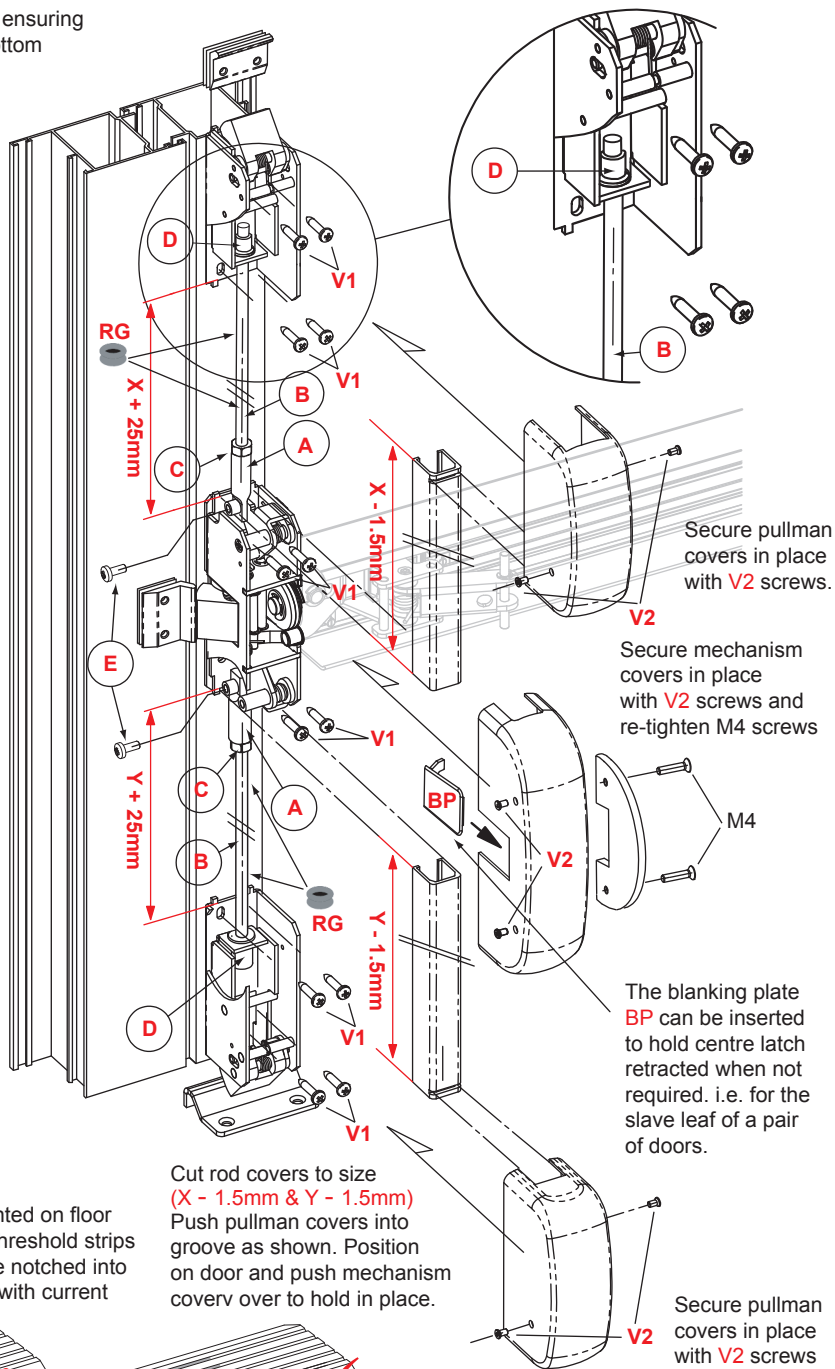
Length of threaded rods:
 $X + 25\text{mm}$
 $Y + 25\text{mm}$

Length of rod covers:
 $X - 1.5\text{mm}$
 $Y - 1.5\text{mm}$

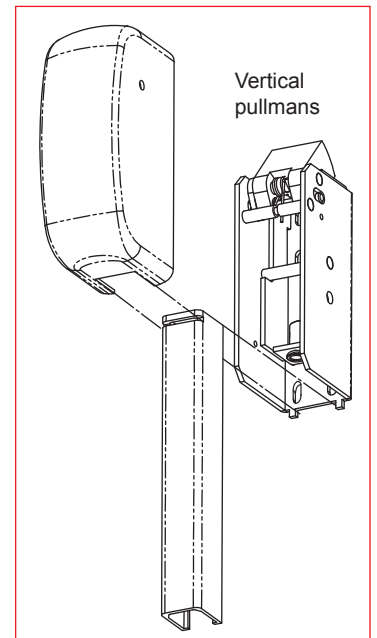
Floor strikers should be mounted on floor as shown. If aluminium low threshold strips are used the striker should be notched into aluminium section to comply with current legislation.



Fill grooves and voids in aluminium with hard sealant to prevent "pre-latching"



IMPORTANT: Before the fitting of an Outside Access Device onto a door it is important to establish the correct position of the centre mechanism and appropriate strikers.



Ensure rubber washers **RG** are pushed over threaded rods to prevent any vibration or rattle.

Component	Qty
V1	14
V2	6
A	2
C	2
E	2
BP	1
RG	4

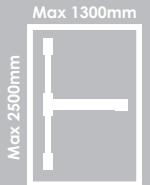


<https://www.strandhardware.co.uk/images/PDF/DopTouchbar.pdf>



https://www.strandhardware.co.uk/images/UKCA-DOPs/UKCA_Panic_Hardware_UKCA_SHWUKCA3_12_9_22.pdf

CE	UK CA	STRAND HARDWARE LIMITED
		Strand House Long St Premier Business Park Walsall West Midlands WS2 9DY ENGLAND
0425-1520 - 11	0843-1039	
EN1125: 2008		3-7-7-B-1-4-2-2-B-A



The safety features of this exit device are of fundamental importance to ensure its compliance with standard EN1125. No modifications of any kind to the device other than those described in the fitting instructions are permitted.
This panic device may be fitted to fire or smoke door assemblies.
Attention: Exit devices shall not include dogging (hold unlocked) when fitted to fire or smoke door assemblies - dogging can only be used on escape doors.

Fix the centre mechanism of touch bar onto door section at appropriate height (touch bar should be positioned between 900 - 1100mm from FFL) ensuring good contact with centre striker.

Fix top and bottom pullmans ensuring good contact with top and bottom strikers.

Cut threaded rods to size (X + 15mm & Y + 15mm)

Insert threaded rod B into connector A with lock-nuts C as shown.

Push RG rubber grommets over thread (2 per rod)

Insert threaded rod into riv-nut D of pullman latch and rotate.

Push connector A over bush of centre mechanism as shown.

Insert M4 screws E to secure connector in place

After final adjustments of rods are made, secure all lock-nuts making sure that all of the connections are tight.

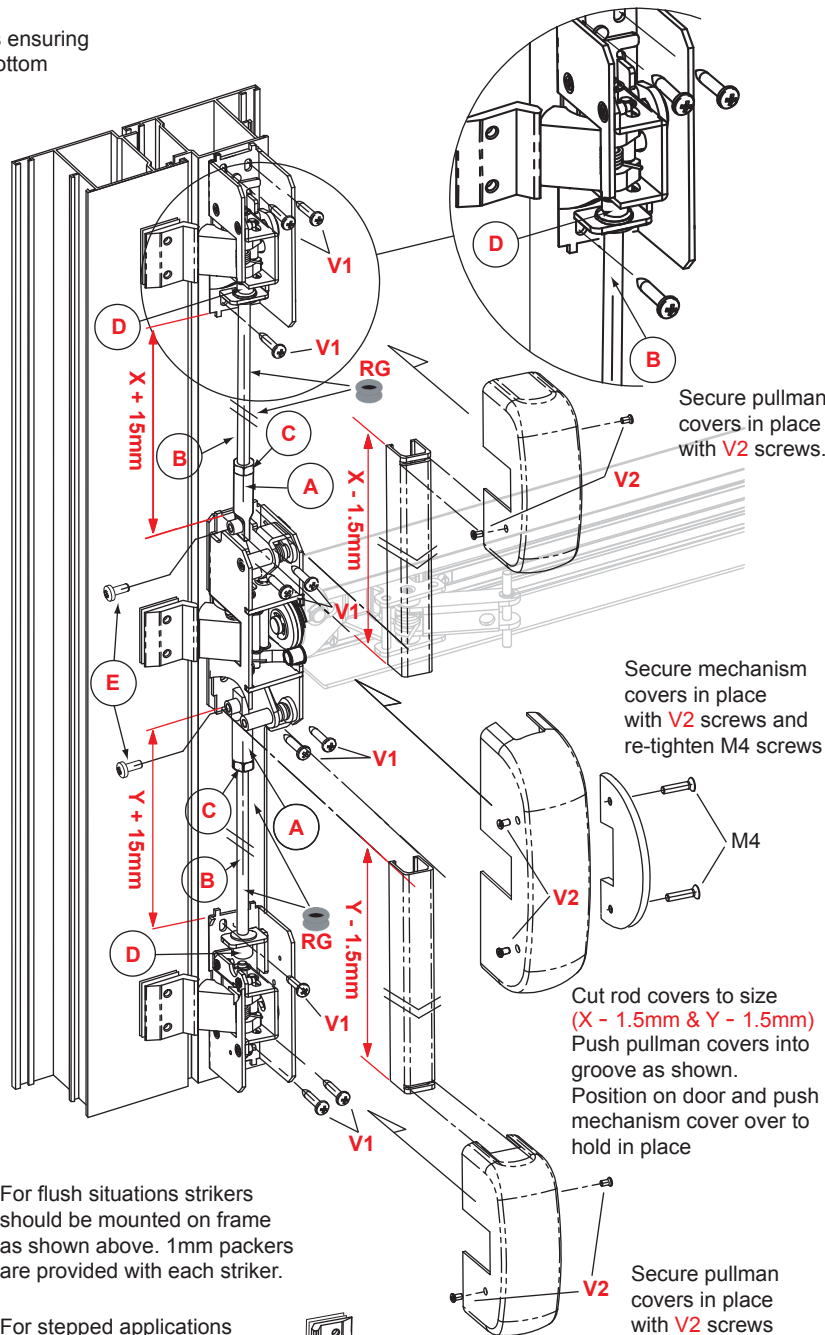
Care should be taken to ensure any lost motion is prevented by adjustment of threaded rods and lock-nuts.

Length of threaded rods:

X + 15mm
Y + 15mm

Length of rod covers:

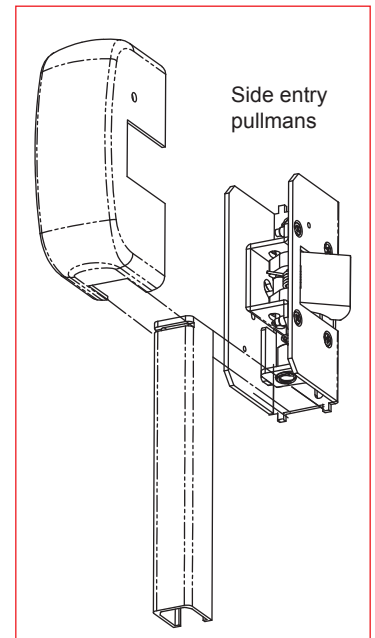
X - 1.5mm
Y - 1.5mm



For flush situations strikers should be mounted on frame as shown above. 1mm packers are provided with each striker.

For stepped applications 4 - 8mm the striker can be rotated 180° as shown here. Also see striker applications on page 4 for typical applications.

IMPORTANT: Before the fitting of an Outside Access Device onto a door it is important to establish the correct position of the centre mechanism and appropriate strikers.

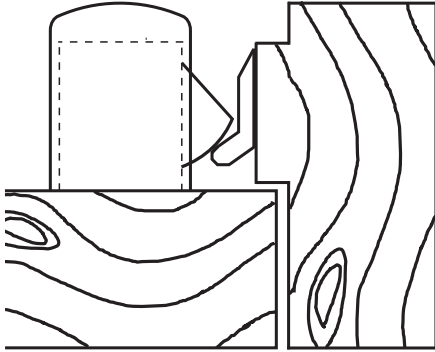


Ensure rubber washers RG are pushed over threaded rods to prevent any vibration or rattle.

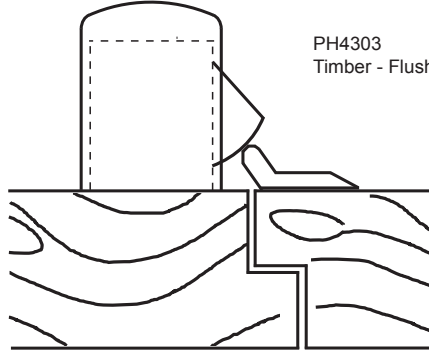
Component	Qty
V1	12
V2	6
A	2
C	2
E	2
BP	1
RG	4

Drawings are for guidance only

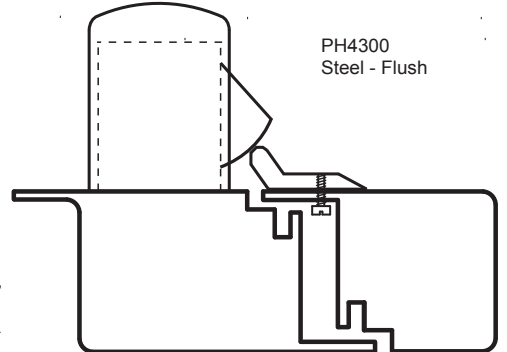
PH4303
Timber - Recessed



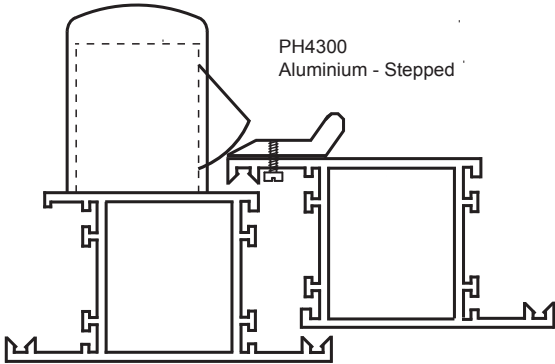
PH4303
Timber - Flush



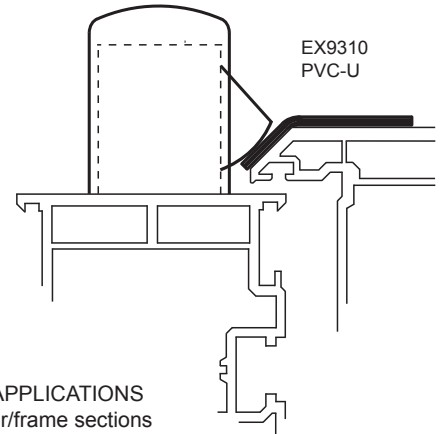
PH4300
Steel - Flush



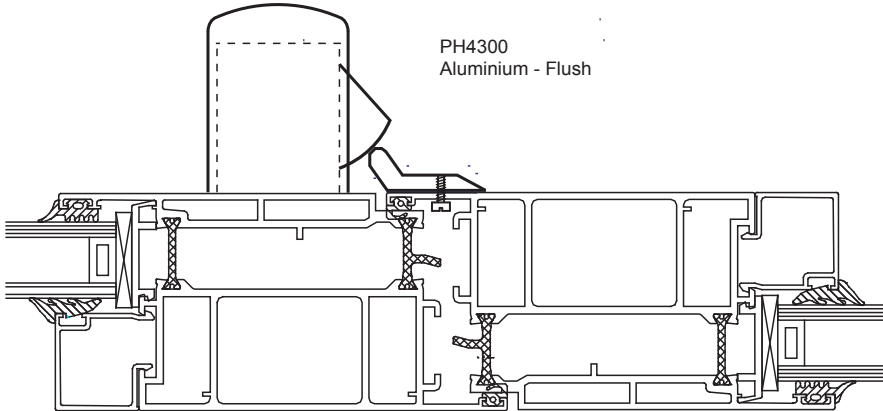
PH4300
Aluminium - Stepped



EX9310
PVC-U



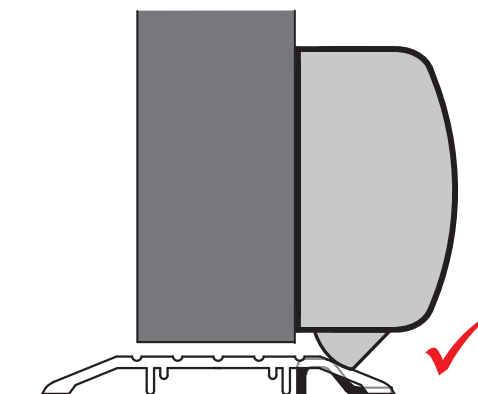
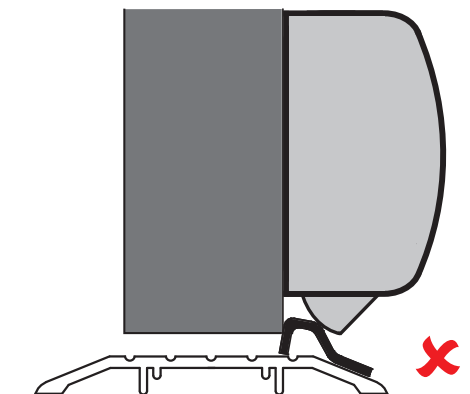
PH4300
Aluminium - Flush



STRIKER APPLICATIONS
Typical door/frame sections
showing correct use of strikers

A range of PVC-U profile related
strikers is also available

Floor strikers should be mounted
on floor as shown. If aluminium
low threshold strips are used the
striker should be notched into
aluminium section to comply with
current legislation.



PH4304
Floor Striker

