

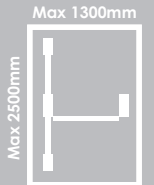


<http://www.strandhardware.co.uk/Docs/DoP/SHW001.pdf>



https://www.strandhardware.co.uk/images/UKCA-DOPs/UKCA_Panic_Hardware_SHWUKCA1.pdf

CE	UK CA	STRAND HARDWARE LIMITED
		Strand House Long St Premier Business Park Walsall West Midlands WS2 9DY ENGLAND
0425-1519-10	0843-1037	
EN1125: 2008		3-7-7-B-1-4-2-2-A-A



The safety features of this exit device are of fundamental importance to ensure its compliance with standard EN1125. No modifications of any kind to the device other than those described in the fitting instructions are permitted.
 This panic device may be fitted to fire or smoke door assemblies.
 Attention: Exit devices shall not include dogging (hold unlocked) when fitted to fire or smoke door assemblies - dogging can only be used on escape doors.

Component	Qty
GR1	2
V1	8
V2	4
V3	4

IMPORTANT: Before the fitting of an Outside Access Device onto a door it is important to establish the correct position of the centre mechanism and appropriate striker

For flush situations strikers should be mounted on frame as shown below. 1mm packers are provided with each striker

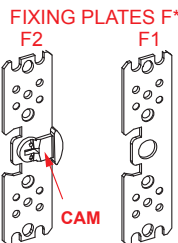
For stepped applications 4 - 8mm the striker can be rotated 180° as shown here.

For recessed situations the PH4303 should be turned 90 degrees to door face as shown - see page 4 (strike application)



Measurement Z varies depending on recessed, flush or stepped applications. This measurement should be established before holes are drilled into door section.

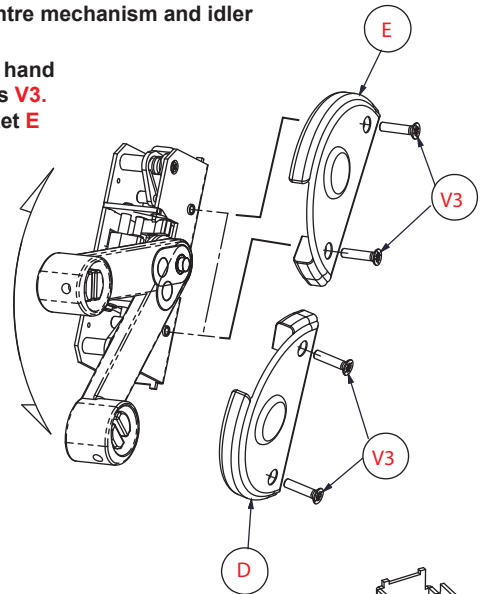
Position flat plate F1 beneath mechanism as shown. If used in conjunction with an OAD use F2 plate with integral cam - this plate is supplied with all outside access devices (ensure cam is positioned as shown)



Handing of centre mechanism and idler

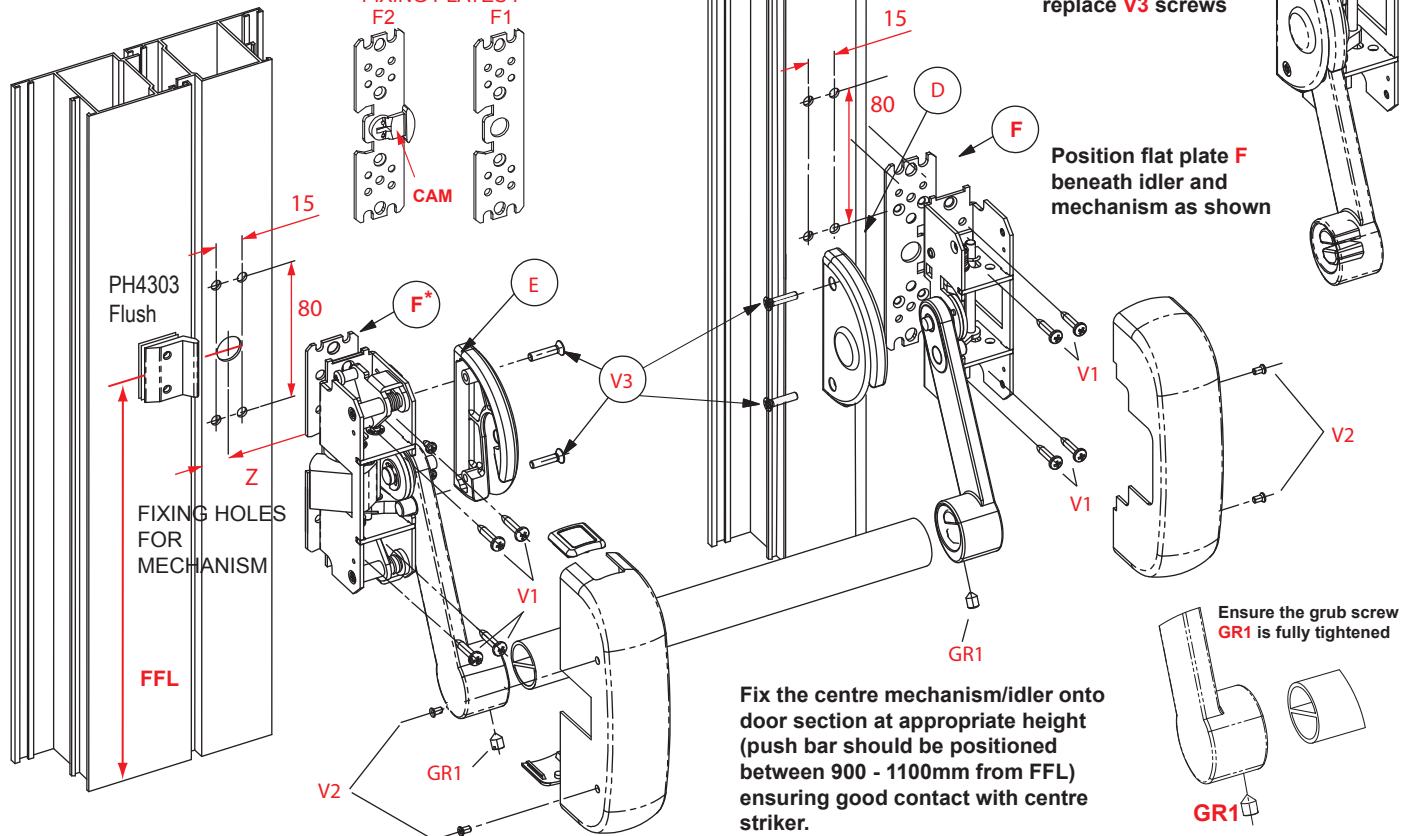
To change the hand remove screws V3. Remove bracket E

Rotate crossarm bracket upwards as shown and invert both idler and mechanism



Fit alternative bracket and plate D - Now replace V3 screws

Position flat plate F beneath idler and mechanism as shown



Fix the centre mechanism/idler onto door section at appropriate height (push bar should be positioned between 900 - 1100mm from FFL) ensuring good contact with centre striker.

Ensure the grub screw GR1 is fully tightened

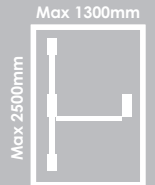


<http://www.strandhardware.co.uk/Docs/DoP/SHW001.pdf>



https://www.strandhardware.co.uk/images/UKCA-DOPs/UKCA_Panic_Hardware_UKCA_SHWUKCA1_12_9_22.pdf

CE	UK CA	STRAND HARDWARE LIMITED
		Strand House Long St Premier Business Park Walsall West Midlands WS2 9DY ENGLAND
0425- 1519 - 10	0843- 1037	
EN1125: 2008		3-7-7-B-1-4-2-2-A-A



The safety features of this exit device are of fundamental importance to ensure its compliance with standard EN1125. No modifications of any kind to the device other than those described in the fitting instructions are permitted.
This panic device may be fitted to fire or smoke door assemblies.
Attention: Exit devices shall not include dogging (hold unlocked) when fitted to fire or smoke door assemblies - dogging can only be used on escape doors.

Fix the centre mechanism of push bar onto door section at appropriate height (touch bar should be positioned between 900 - 1100mm from FFL) ensuring good contact with centre striker if required.

Fix top and bottom pullmans ensuring good contact with top and bottom strikers.

Cut threaded rods to size (X + 25mm & Y + 25mm)

Insert threaded rod B into connector A with lock-nuts C as shown.

Push RG rubber grommets over thread (2 per rod)

Insert threaded rod into riv-nut D of pullman latch and rotate.

Push connector A over bush of centre mechanism as shown.

Insert M4 screws E to secure connector in place

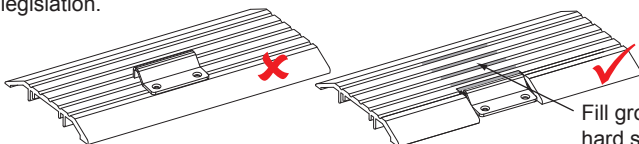
After final adjustments of rods are made, secure all lock-nuts making sure that all of the connections are tight.

Care should be taken to ensure any lost motion is prevented by adjustment of threaded rods and lock-nuts.

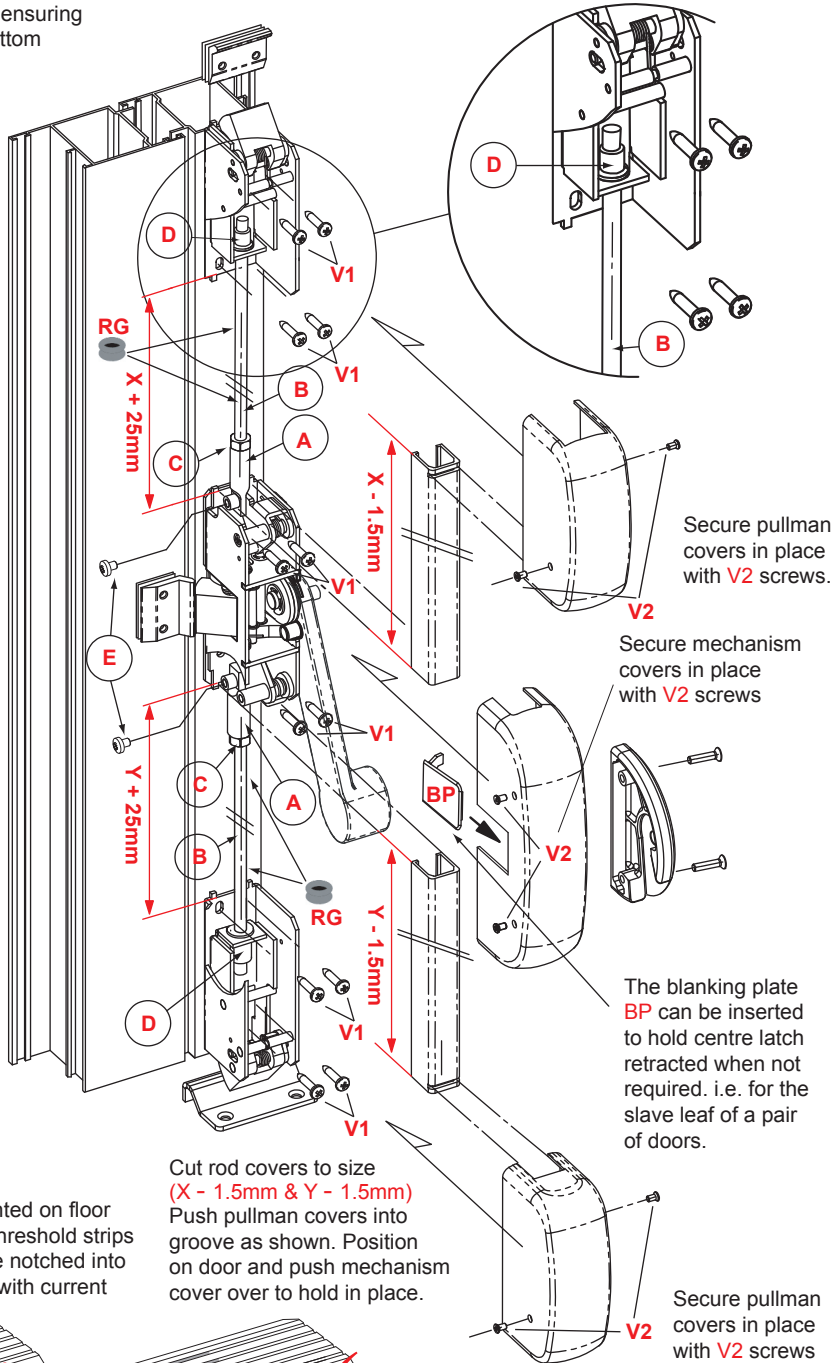
Length of threaded rods:
X + 25mm
Y + 25mm

Length of rod covers:
X - 1.5mm
Y - 1.5mm

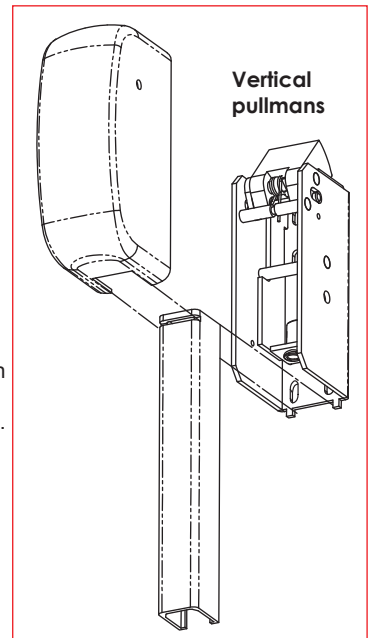
Floor strikers should be mounted on floor as shown. If aluminium low threshold strips are used the striker should be notched into aluminium section to comply with current legislation.



Fill grooves and voids in aluminium with hard sealant to prevent "pre-latching"



IMPORTANT: Before the fitting of an Outside Access Device onto a door it is important to establish the correct position of the centre mechanism and appropriate strikers.



Component	Qty
V1	16
V2	8
A	2
C	2
E	2
BP	1
RG	4

Ensure rubber washers RG are pushed over threaded rods to prevent any vibration or rattle



<http://www.strandhardware.co.uk/Docs/DoP/SHW001.pdf>



https://www.strandhardware.co.uk/images/UKCA-DOPs/UKCA_Panic_Hardware_UKCA_SHWUKCA1_12_9_22.pdf

 0425-1519 - 10	 0843-1037	STRAND HARDWARE LIMITED Strand House Long St Premier Business Park Walsall West Midlands WS2 9DY ENGLAND
		EN1125: 2008



The safety features of this exit device are of fundamental importance to ensure its compliance with standard EN1125. No modifications of any kind to the device other than those described in the fitting instructions are permitted.
 This panic device may be fitted to fire or smoke door assemblies.
 Attention: Exit devices shall not include dogging (hold unlocked) when fitted to fire or smoke door assemblies - dogging can only be used on escape doors.

Fix the centre mechanism of push bar onto door section at appropriate height (touch bar should be positioned between 900 - 1100mm from FFL) ensuring good contact with centre striker.

Fix top and bottom pullmans ensuring good contact with top and bottom strikers.

Cut threaded rods to size (X + 15mm & Y + 15mm)

Insert threaded rod B into connector A with lock-nuts C as shown.

Push RG rubber grommets over thread (2 per rod)

Insert threaded rod into riv-nut D of pullman latch and rotate.

Push connector A over bush of centre mechanism as shown.

Insert M4 screws E to secure connector in place

After final adjustments of rods are made, secure all lock-nuts making sure that all of the connections are tight.

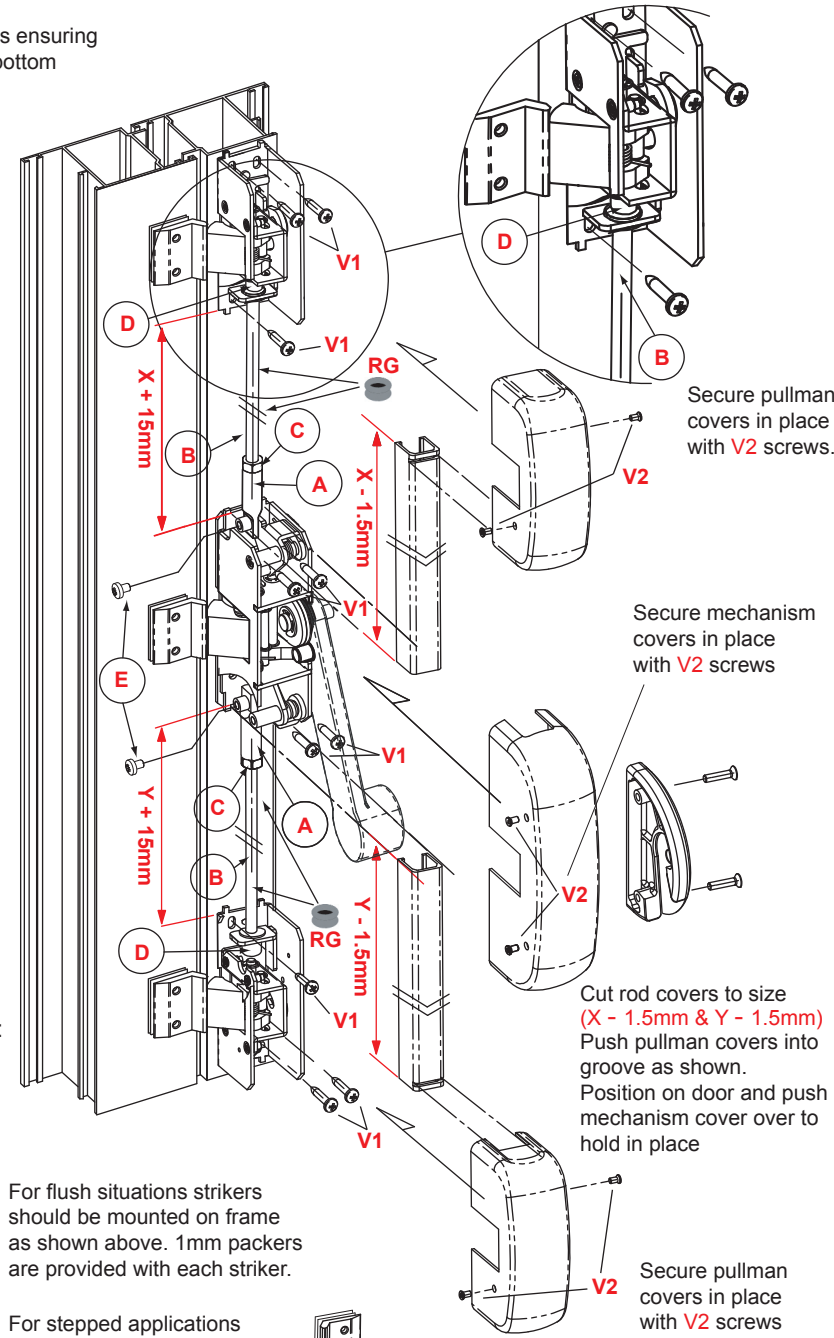
Care should be taken to ensure any lost motion is prevented by adjustment of threaded rods and lock-nuts.

Length of threaded rods:

X + 15mm
Y + 15mm

Length of rod covers:

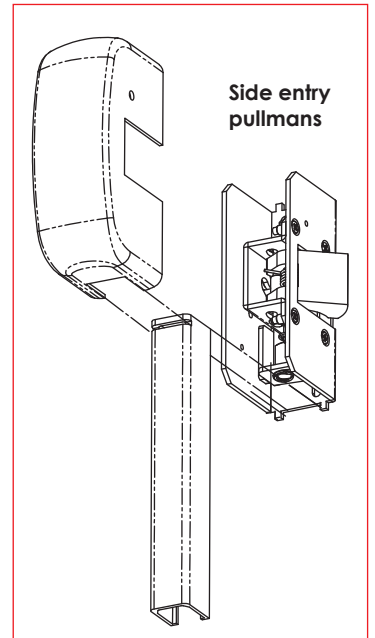
X - 1.5mm
Y - 1.5mm



For flush situations strikers should be mounted on frame as shown above. 1mm packers are provided with each striker.

For stepped applications 4 - 8mm the striker can be rotated 180° as shown here. Also see striker applications on page 4 for typical applications.

IMPORTANT: Before the fitting of an Outside Access Device onto a door it is important to establish the correct position of the centre mechanism and appropriate strikers

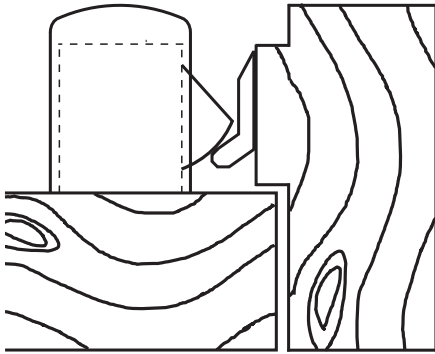


Component	Qty
V1	14
V2	8
A	2
C	2
E	2
BP	1
RG	4

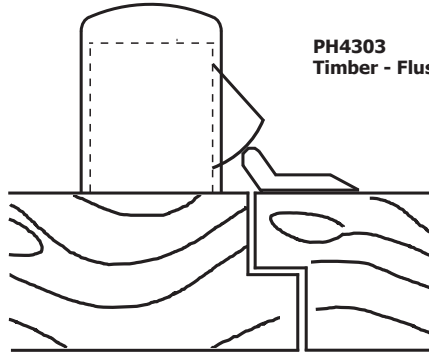
Ensure rubber washers RG are pushed over threaded rods to prevent any vibration or rattle

Drawings are for guidance only

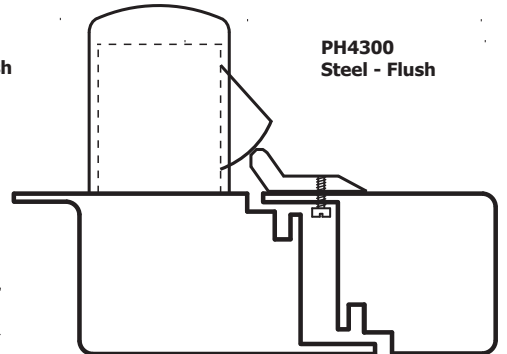
**PH4303
 Timber - Recessed**



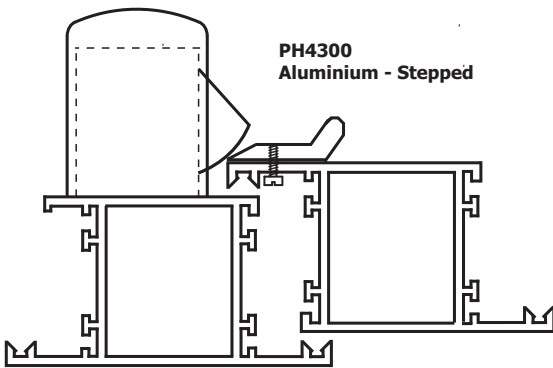
**PH4303
 Timber - Flush**



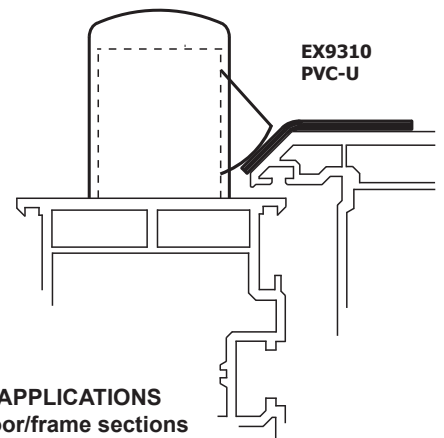
**PH4300
 Steel - Flush**



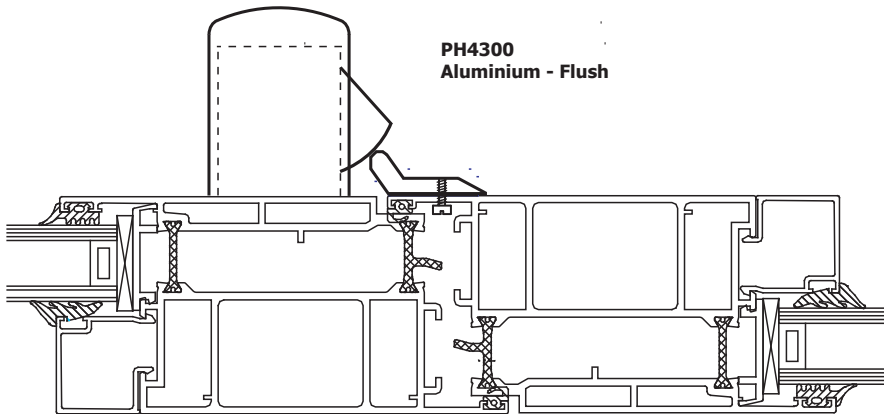
**PH4300
 Aluminium - Stepped**



**EX9310
 PVC-U**



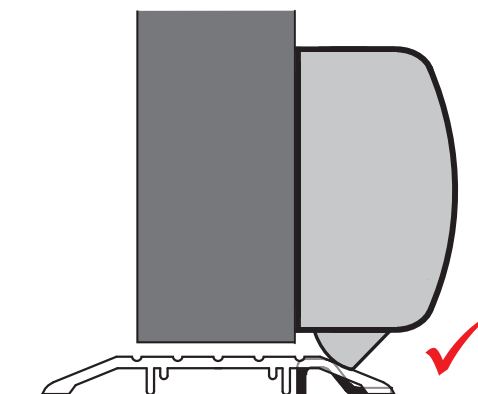
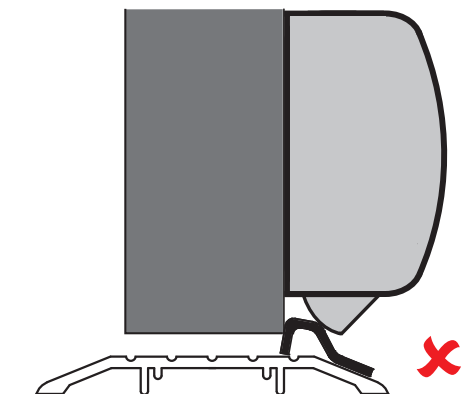
**PH4300
 Aluminium - Flush**



STRIKER APPLICATIONS
 Typical door/frame sections
 showing correct use of strikers

A range of PVC-U profile related
 strikers is also available

Floor strikers should be mounted on floor as shown. If aluminium low threshold strips are used the striker should be notched into aluminium section to comply with current legislation.



**PH4304
 Floor Striker**

