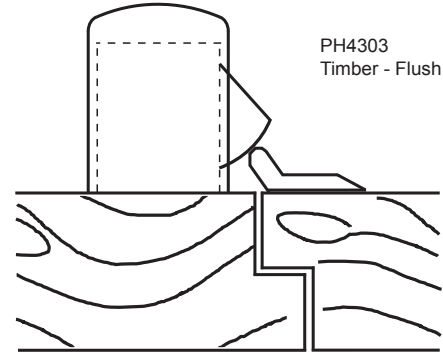


Drawings are for guidance only

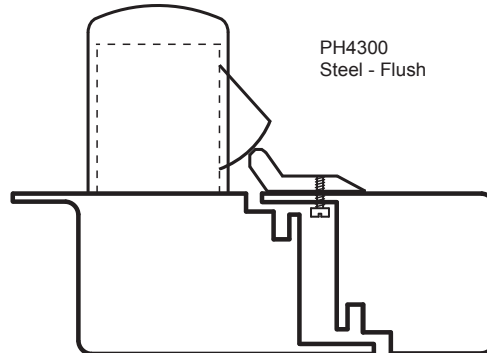
PH4303
Timber - Recessed



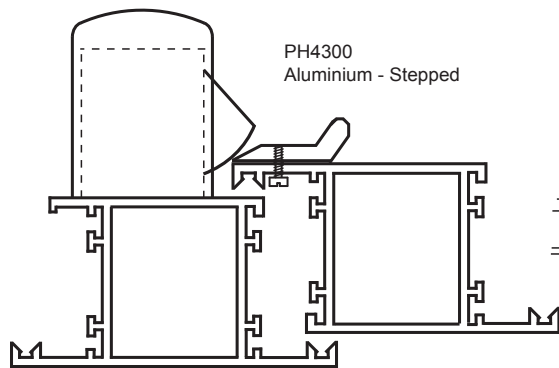
PH4303
Timber - Flush



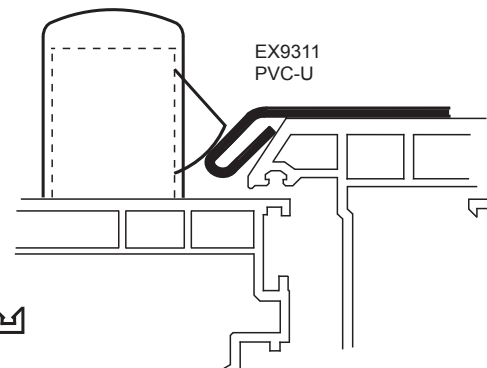
PH4300
Steel - Flush



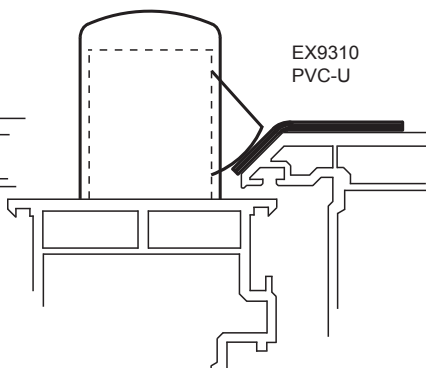
PH4300
Aluminium - Stepped



EX9311
PVC-U



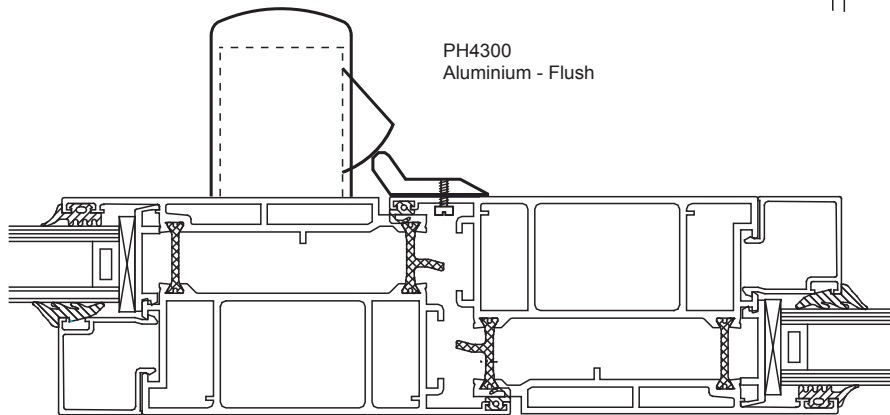
EX9310
PVC-U



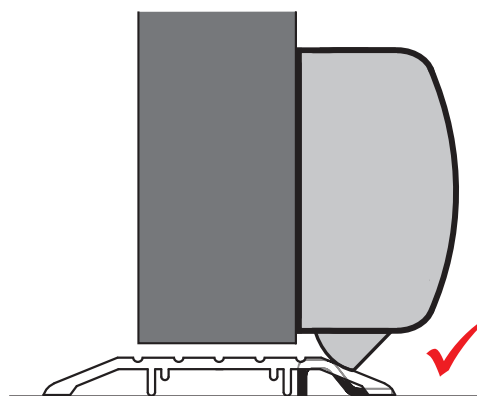
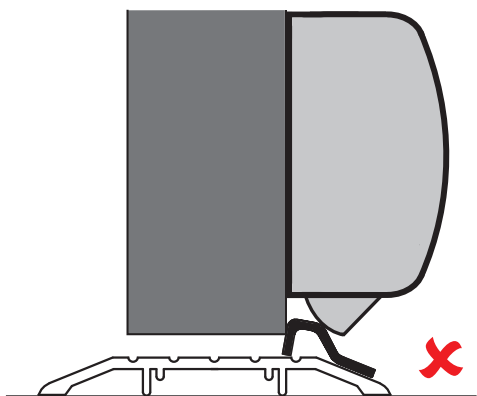
STRIKER APPLICATIONS
Typical door/frame sections showing correct use of strikers

A range of PVC-U profile related strikers is also available

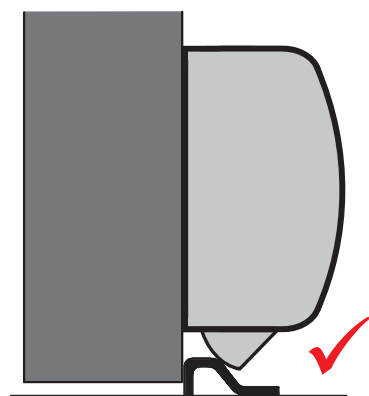
PH4300
Aluminium - Flush



Floor strikers should be mounted on floor as shown. If aluminium low threshold strips are used the striker should be notched into aluminium section to comply with current legislation.



PH4304
Floor Striker



https://www.strandhardware.co.uk/images/PDF/Panic_Hardware_CE_SHW003-A_MTB.pdf



https://www.strandhardware.co.uk/images/UKCA-DOPs/UKCA_Panic_Hardware_SHWUKCA3-M.pdf



0425-1520-11

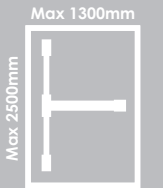


0843-1039

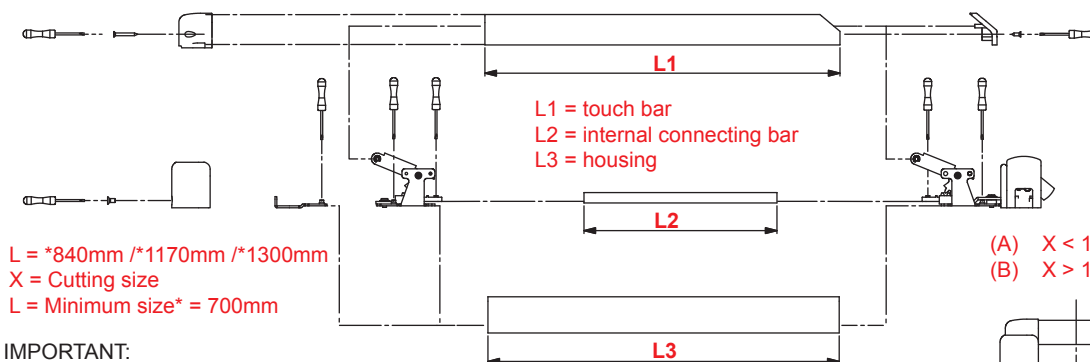
STRAND HARDWARE LIMITED
Strand House Long St Premier Business Park
Walsall West Midlands WS2 9DY ENGLAND

EN1125: 2008

3-7-7-B-1-4-2-2-B-A



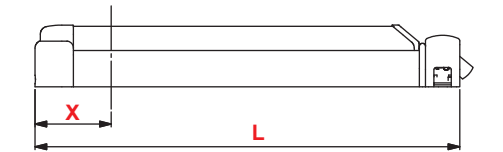
Please ensure the formula for reduction of aluminium profiles is followed accurately.



For reductions of less than 160mm cut touch bar L1 and housing L3 down to size using formula (A)

For reductions over 160mm it will be necessary to reduce internal connecting bar L2 using formula (B) This formula is only for the 1170/1300mm sizes

(A) X < 160mm: L1 - X, L3 - X
(B) X > 160mm: L1 - X, L2 - (X - 160mm), L3 - X

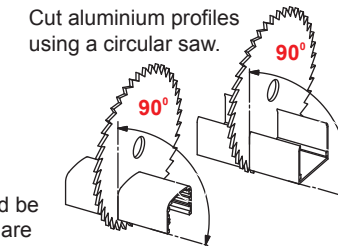
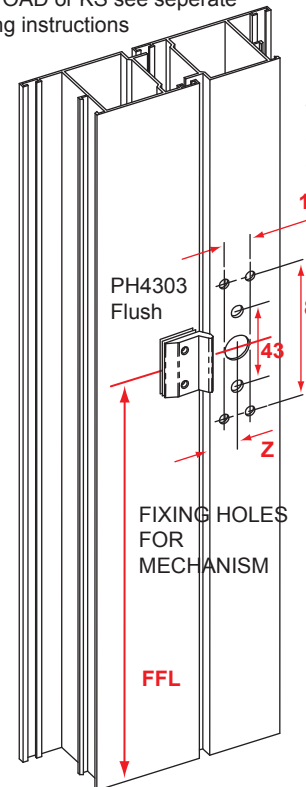


IMPORTANT:
Before the fitting of Outside Access Device (OAD) or Outside Access Key Switch (KS) onto a door it is important to establish the correct position of the centre mechanism and appropriate striker.

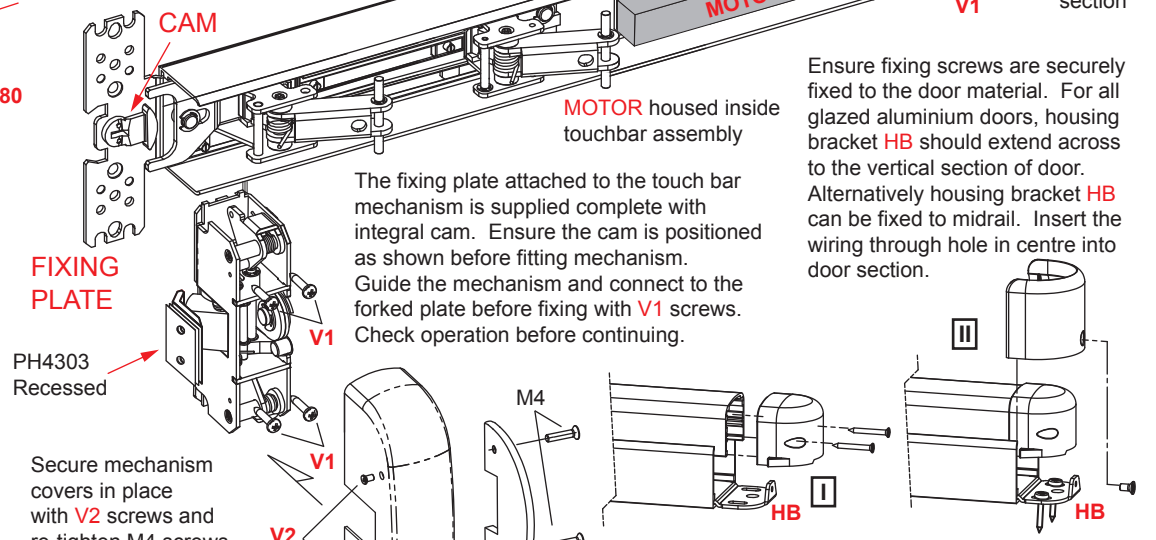
For OAD or KS see separate fitting instructions

Measurement Z varies depending on recessed, flush or stepped applications.

This measurement should be established before holes are drilled into door section



After completing the cutting of components, re-assembly centre mechanism to the housing, internal connecting bar and touch bar.



Ensure fixing screws are securely fixed to the door material. For all glazed aluminium doors, housing bracket HB should extend across to the vertical section of door. Alternatively housing bracket HB can be fixed to midrail. Insert the wiring through hole in centre into door section.

Fix centre mechanism onto door at appropriate height. The touch bar should be positioned between 900 - 1100mm from FFL ensuring good contact with centre striker.

For flush applications the striker should be mounted on frame as shown. 1mm packers are provided with each striker

For stepped applications 4 - 8mm the striker can be rotated 180° as shown here.

For recessed situations the PH4303 should be turned 90 degrees to door face as shown - see page 4 (striker applications)

Component	Qty
V2	2
V1	6



https://www.strandhardware.co.uk/images/PDF/Panic_Hardware_CE_SHW003-A_MTB.pdf.pdf



https://www.strandhardware.co.uk/images/UKCA-DOPs/UKCA_Panic_Hardware_SHWUKCA3-M.pdf.pdf

The safety features of this exit device are of fundamental importance to ensure its compliance with standard EN1125. No modifications of any kind to the device other than those described in the fitting instructions are permitted. This panic device may be fitted to fire or smoke door assemblies. Attention: Exit devices shall not include dogging (hold unlocked) when fitted to fire or smoke door assemblies - dogging can only be used on escape doors.

Fix the centre mechanism of touchbar onto door section at appropriate height (touch bar should be positioned between 900 - 1100mm from FFL) ensuring good contact with centre striker if required.

Fix top and bottom pullmans ensuring good contact with top and bottom strikers.

Cut threaded rods to size (X + 25mm & Y + 25mm)

Insert threaded rod B into connector A with lock-nuts C as shown.

Push RG rubber grommets over thread (2 per rod)

Insert threaded rod into riv-nut D of pullman latch and rotate.

Push connector A over bush of centre mechanism as shown.

Insert M4 screws E to secure connector in place

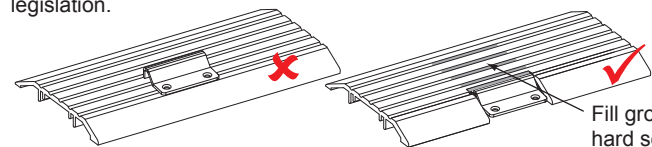
After final adjustments of rods are made, secure all lock-nuts making sure that all of the connections are tight.

Care should be taken to ensure any lost motion is prevented by adjustment of threaded rods and lock-nuts.

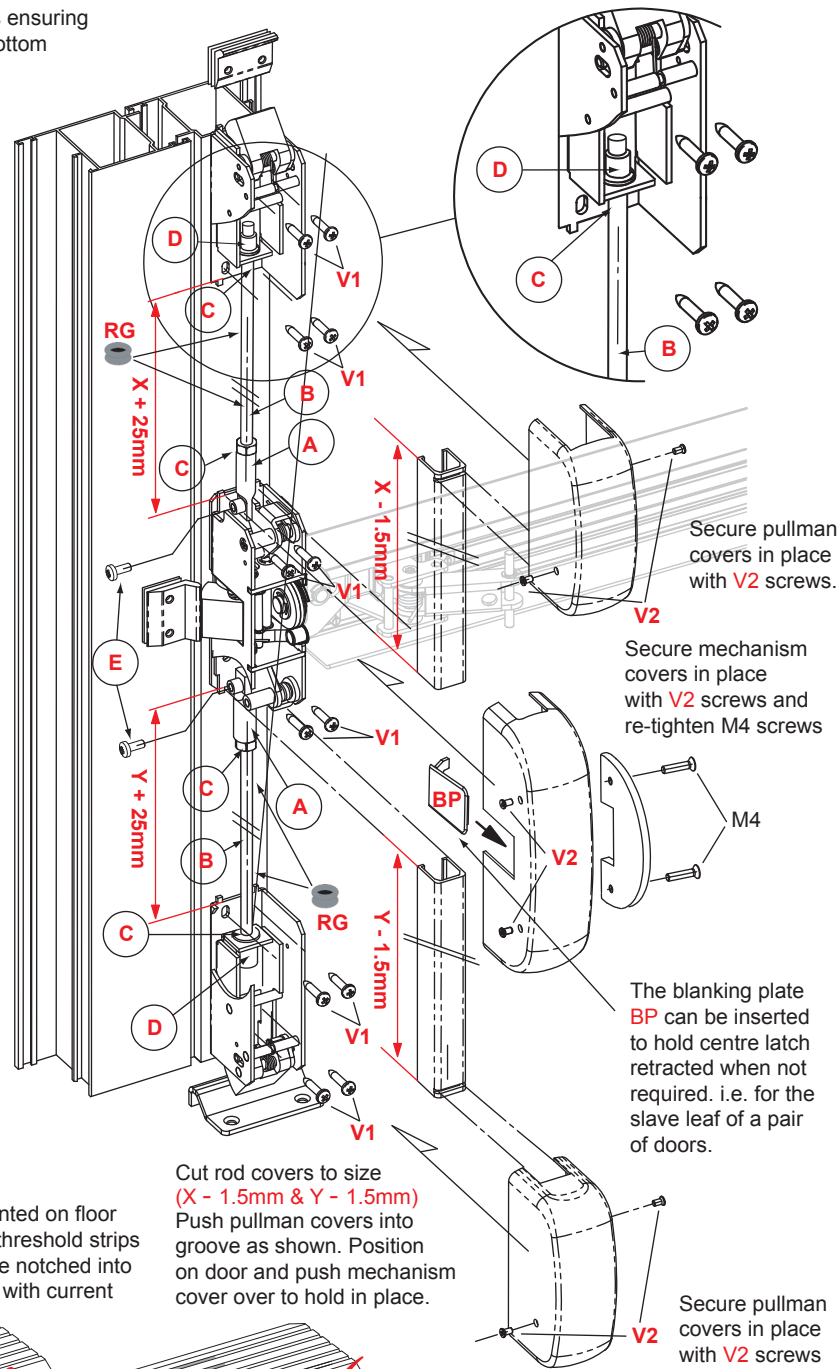
Length of threaded rods: X + 25mm Y + 25mm

Length of rod covers: X - 1.5mm Y - 1.5mm

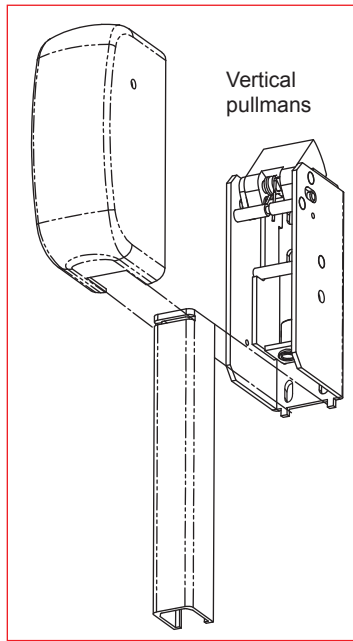
Floor strikers should be mounted on floor as shown. If aluminium low threshold strips are used the striker should be notched into aluminium section to comply with current legislation.



Fill grooves and voids in aluminium with hard sealant to prevent "pre-latching"



IMPORTANT: Before the fitting of an Outside Access Device onto a door it is important to establish the correct position of the centre mechanism and appropriate strikers.



Ensure rubber washers RG are pushed over threaded rods to prevent any vibration or rattle.

Component	Qty
V1	14
V2	6
A	2
C	2
E	2
BP	1
RG	4

The blanking plate BP can be inserted to hold centre latch retracted when not required. i.e. for the slave leaf of a pair of doors.



https://www.strandhardware.co.uk/images/PDF/Panic_Hardware_CE_SHW003-A_MTB.pdf.pdf



https://www.strandhardware.co.uk/images/UKCA-DOPs/UKCA_Panic_Hardware_SHWUKCA3-M.pdf.pdf

The safety features of this exit device are of fundamental importance to ensure its compliance with standard EN1125. No modifications of any kind to the device other than those described in the fitting instructions are permitted. This panic device may be fitted to fire or smoke door assemblies. Attention: Exit devices shall not include dogging (hold unlocked) when fitted to fire or smoke door assemblies - dogging can only be used on escape doors.

Fix the centre mechanism of touch bar onto door section at appropriate height (touch bar should be positioned between 900 - 1100mm from FFL) ensuring good contact with centre striker.

Fix top and bottom pullmans ensuring good contact with top and bottom strikers.

Cut threaded rods to size (X + 15mm & Y + 15mm)

Insert threaded rod B into connector A with lock-nuts C as shown.

Push RG rubber grommets over thread (2 per rod)

Insert threaded rod into riv-nut D of pullman latch and rotate.

Push connector A over bush of centre mechanism as shown.

Insert M4 screws E to secure connector in place

After final adjustments of rods are made, secure all lock-nuts making sure that all of the connections are tight.

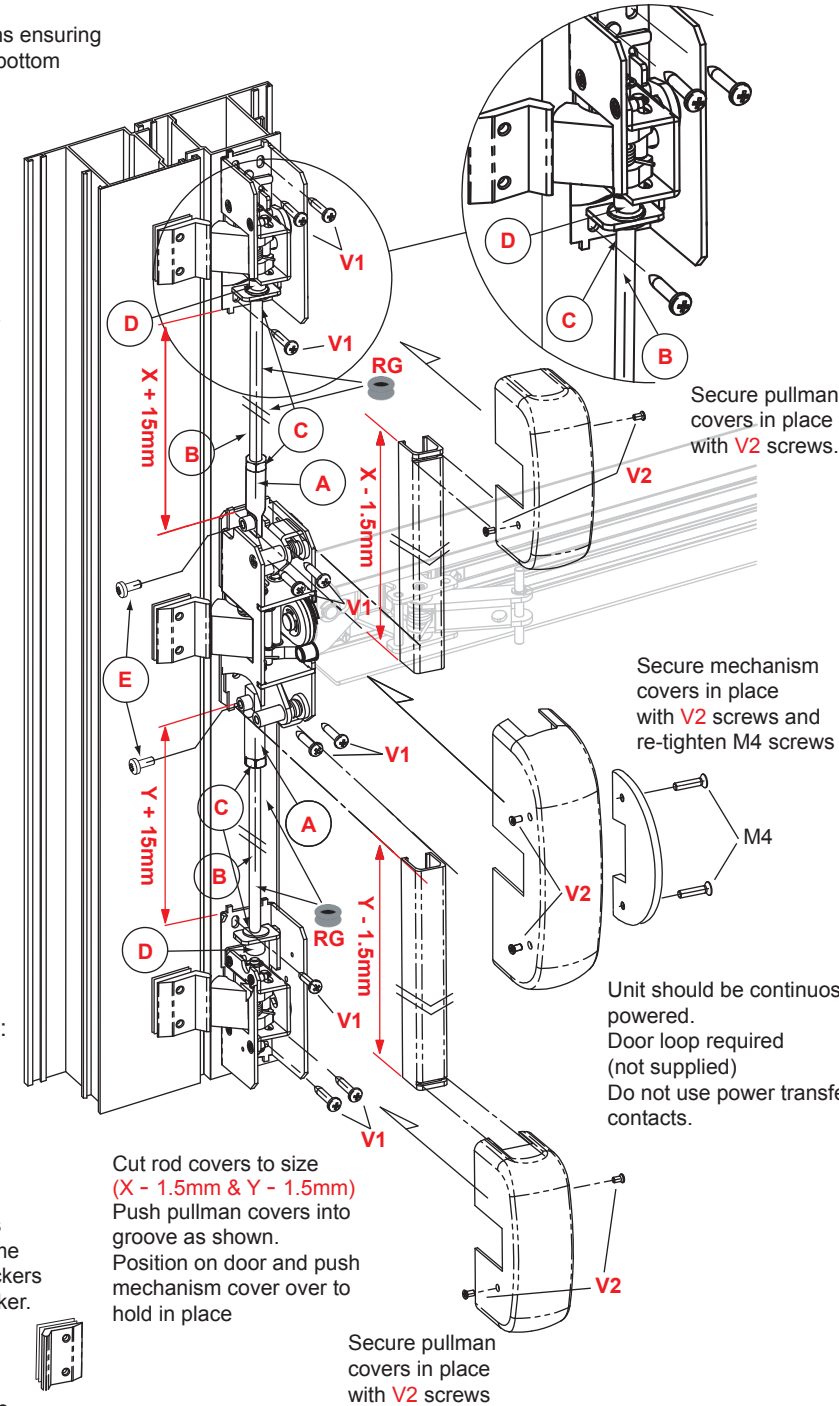
Care should be taken to ensure any lost motion is prevented by adjustment of threaded rods and lock-nuts.

Length of threaded rods: X + 15mm Y + 15mm

Length of rod covers: X - 1.5mm Y - 1.5mm

For flush situations strikers should be mounted on frame as shown above. 1mm packers are provided with each striker.

For stepped applications 4 - 8mm the striker can be rotated 180° as shown here. Also see striker applications on page 4 for typical applications.



IMPORTANT: Before the fitting of an Outside Access Device onto a door it is important to establish the correct position of the centre mechanism and appropriate strikers.

