

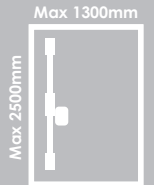


<http://www.strandhardware.co.uk/Docs/DoP/SHW002.pdf>



https://www.strandhardware.co.uk/images/UKCA-DOPs/UKCA_Emergency_Exit_Devices_SWHUKCA2.pdf

CE	UK CA	STRAND HARDWARE LIMITED
		Strand House Long St Premier Business Park Walsall West Midlands WS2 9DY ENGLAND
0425-1579-11	0843-1038	
EN179: 2008		3-7-7-B-1-4-4-2-B-A



The safety features of this exit device are of fundamental importance to ensure its compliance with standard EN179. No modifications of any kind to the device other than those described in the fitting instructions are permitted.

Attention: Dogging can only be used on escape doors.

Component	Qty
GR1	1
V1	4
V2	2
V3	2

For recessed situations the PH4303 should be turned 90 degrees to door face as shown - see page 4 (striker applications)

Measurement Z varies depending on recessed, flush or stepped applications.

This measurement should be established before holes are drilled into door section

IMPORTANT:
Before the fitting of Outside Access Device (OAD) onto a door it is important to establish the correct position of the centre mechanism and appropriate striker.

For flush applications the striker should be mounted on frame as shown. 1mm packers are provided with each striker

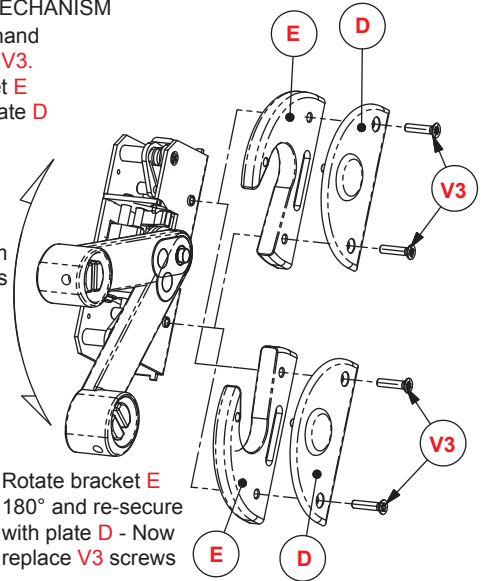
For stepped applications 4 - 8mm the striker can be rotated 180° as shown here.

Fix the centre mechanism onto door at appropriate height - push pad should be positioned between 900 - 1100mm from FFL ensuring good contact with centre striker.

HANDLING of MECHANISM

To change the hand remove screws V3. Remove bracket E and securing plate D

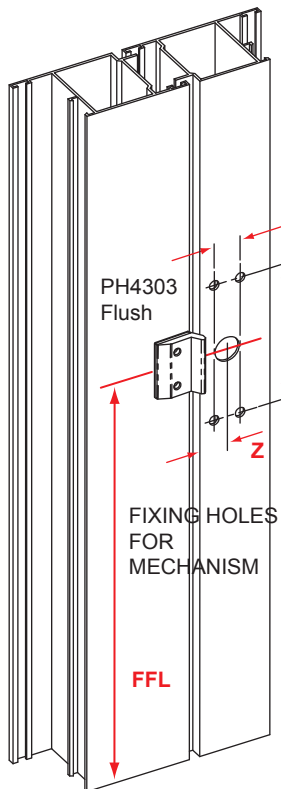
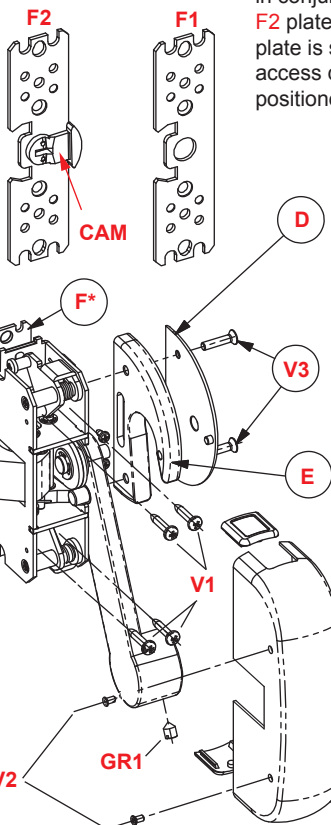
Rotate crossarm bracket upwards as shown in illustration



Rotate bracket E 180° and re-secure with plate D - Now replace V3 screws

Position flat plate F1 beneath mechanism as shown. If used in conjunction with an OAD use F2 plate with integral cam - this plate is supplied with all outside access devices (ensure cam is positioned as shown)

FIXING PLATES F*



Push Pad Insert
After fitting cover onto centre mechanism, the pad can be inserted into support bracket and grub screw GR1 can be fully tightened. The photoluminescent insert can now be placed onto pad as shown



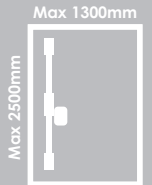


<http://www.strandhardware.co.uk/Docs/DoP/SHW002.pdf>



https://www.strandhardware.co.uk/images/UKCA-DOPs/UKCA_Emergency_Exit_Devices_UKCA_SWHUKCA2_12_9_22.pdf

CE	UK CA	STRAND HARDWARE LIMITED
		Strand House Long St Premier Business Park Walsall West Midlands WS2 9DY ENGLAND
0425- 1579 - 11	0843- 1038	
EN179: 2008		3-7-7-B-1-4-4-2-B-A



The safety features of this exit device are of fundamental importance to ensure its compliance with standard EN179. No modifications of any kind to the device other than those described in the fitting instructions are permitted.

Attention: Dogging can only be used on escape doors.

Fix the centre mechanism onto door section at appropriate height (push pad should be positioned between 900 - 1100mm from FFL) ensuring good contact with centre striker.

Fix top and bottom pullmans ensuring good contact with top and bottom strikers.

Cut threaded rods to size ($X + 25\text{mm}$ & $Y + 25\text{mm}$)

Insert threaded rod **B** into connector **A** with lock-nuts **C** as shown.

Push **RG** rubber grommets over thread (2 per rod)

Insert threaded rod into riv-nut **D** of pullman latch and rotate.

Push connector **A** over bush of centre mechanism as shown.

Insert M4 screws **E** to secure connector in place

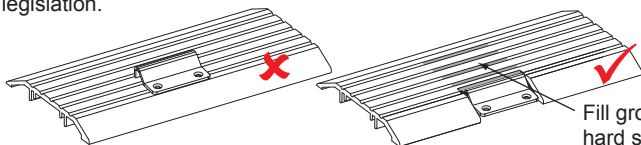
After final adjustments of rods are made, secure all lock-nuts making sure that all of the connections are tight.

Care should be taken to ensure any lost motion is prevented by adjustment of threaded rods and lock-nuts.

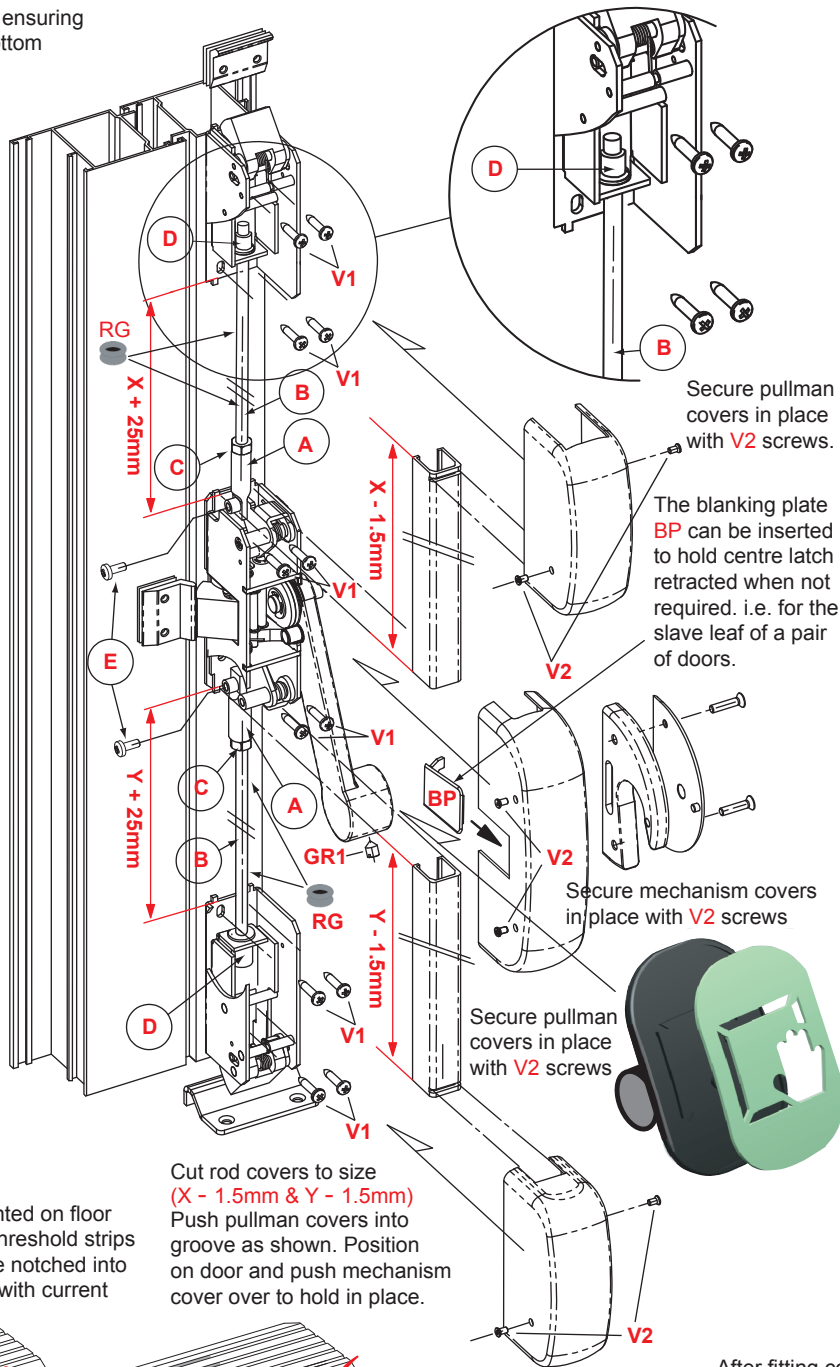
Length of threaded rods:
 $X + 25\text{mm}$
 $Y + 25\text{mm}$

Length of rod covers:
 $X - 1.5\text{mm}$
 $Y - 1.5\text{mm}$

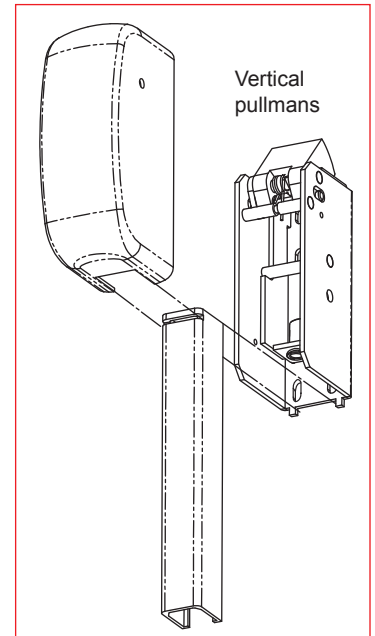
Floor strikers should be mounted on floor as shown. If aluminium low threshold strips are used the striker should be notched into aluminium section to comply with current legislation.



Fill grooves and voids in aluminium with hard sealant to prevent "pre-latching"



IMPORTANT: Before the fitting of an Outside Access Device onto a door it is important to establish the correct position of the centre mechanism and appropriate strikers.



Ensure rubber washers **RG** are pushed over threaded rods to prevent any vibration or rattle.

Component	Qty
V1	12
V2	6
A	2
C	2
E	2
BP	1
RG	4

After fitting cover onto centre mechanism, the pad can be inserted into support bracket and grub screw **GR1** can be fully tightened. The photoluminescent insert can now be placed onto pad as shown.



<http://www.strandhardware.co.uk/Docs/DoP/SHW002.pdf>



https://www.strandhardware.co.uk/images/UKCA-DOPs/UKCA_Emergency_Exit_Devices_UKCA_SWHUKCA2_12_9_22.pdf

CE	UK CA	STRAND HARDWARE LIMITED
		Strand House Long St Premier Business Park Walsall West Midlands WS2 9DY ENGLAND
0425-1579 - 11	0843-1038	
EN179: 2008		3-7-7-B-1-4-4-2-B-A



The safety features of this exit device are of fundamental importance to ensure its compliance with standard EN179. No modifications of any kind to the device other than those described in the fitting instructions are permitted.

Attention: Dogging can only be used on escape doors.

Fix the centre mechanism onto door section at appropriate height (push pad should be positioned between 900 - 1100mm from FFL) ensuring good contact with centre striker.

Fix top and bottom pullmans ensuring good contact with top and bottom strikers.

Cut threaded rods to size (X + 15mm & Y + 15mm)

Insert threaded rod B into connector A with lock-nuts C as shown.

Push RG rubber grommets over thread (2 per rod)

Insert threaded rod into riv-nut D of pullman latch and rotate.

Push connector A over bush of centre mechanism as shown.

Insert M4 screws E to secure connector in place

After final adjustments of rods are made, secure all lock-nuts making sure that all of the connections are tight.

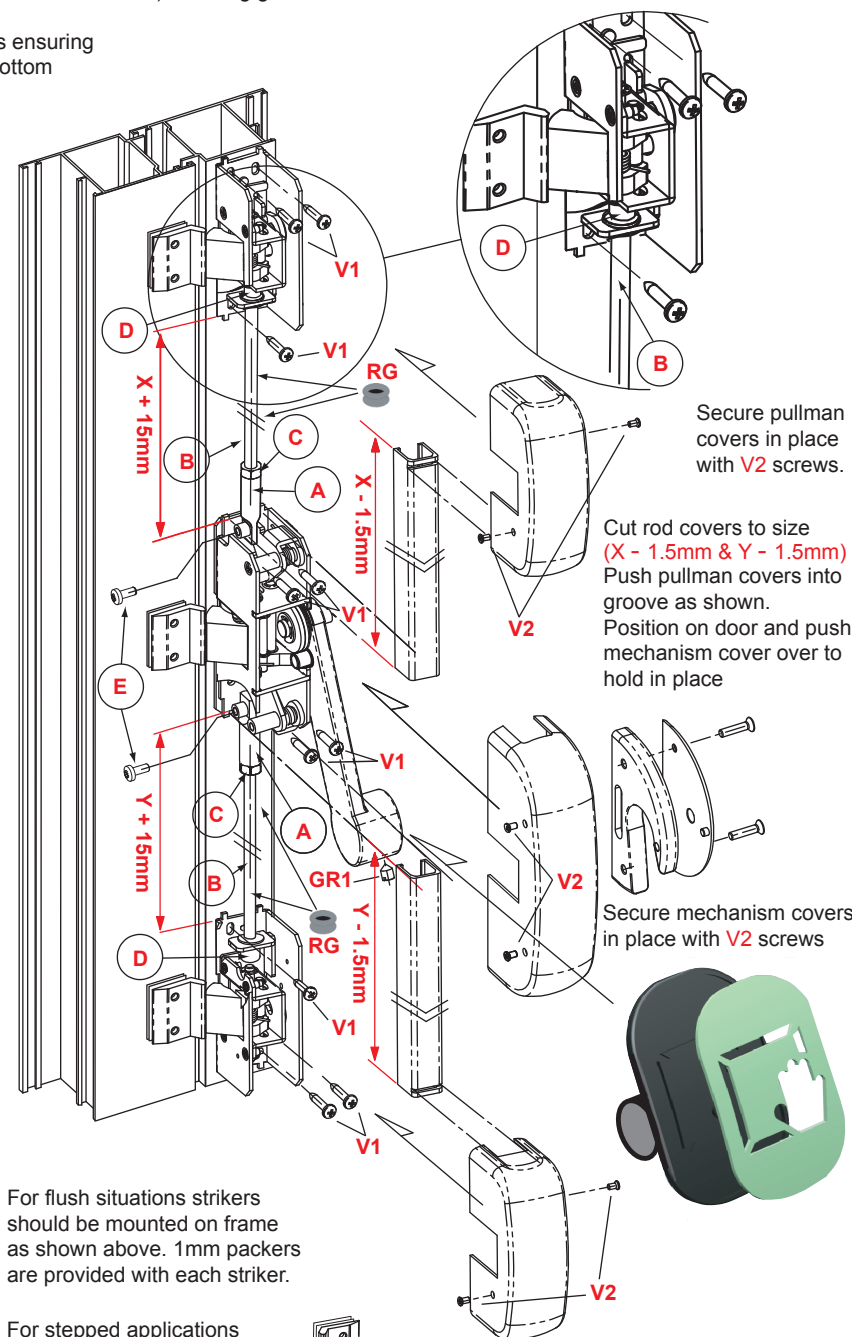
Care should be taken to ensure any lost motion is prevented by adjustment of threaded rods and lock-nuts.

Length of threaded rods:

X + 15mm
Y + 15mm

Length of rod covers:

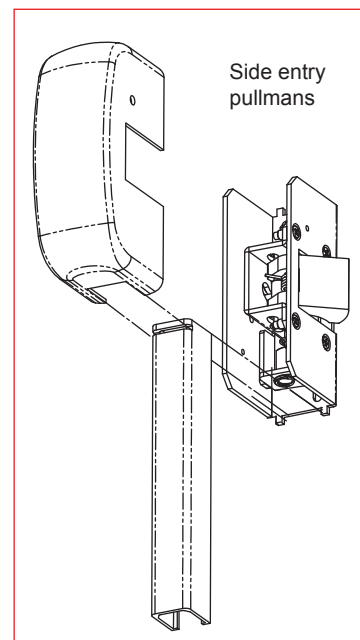
X - 1.5mm
Y - 1.5mm



For flush situations strikers should be mounted on frame as shown above. 1mm packers are provided with each striker.

For stepped applications 4 - 8mm the striker can be rotated 180° as shown here. Also see striker applications on page 4 for typical applications.

IMPORTANT: Before the fitting of an Outside Access Device onto a door it is important to establish the correct position of the centre mechanism and appropriate strikers.



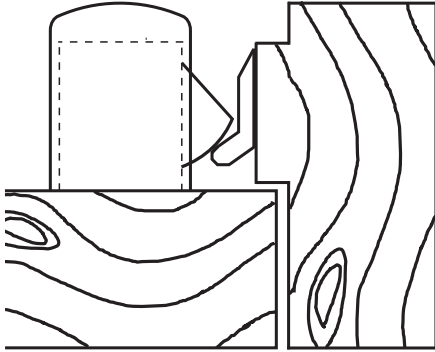
Ensure rubber washers RG are pushed over threaded rods to prevent any vibration or rattle.

Component	Qty
V1	10
V2	6
A	2
C	2
E	2
BP	1
RG	4

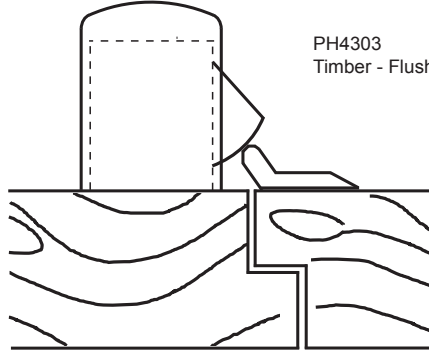
After fitting cover onto centre mechanism, the pad can be inserted into support bracket and grub screw GR1 can be fully tightened. The photoluminescent insert can now be placed onto pad as shown.

Drawings are for guidance only

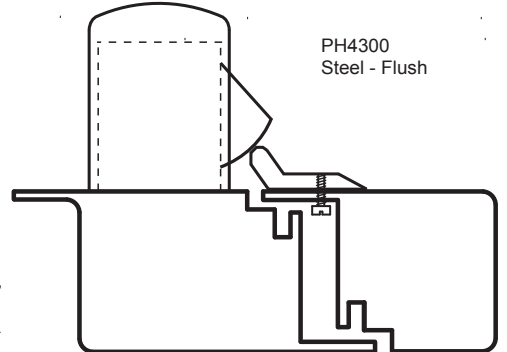
PH4303
 Timber - Recessed



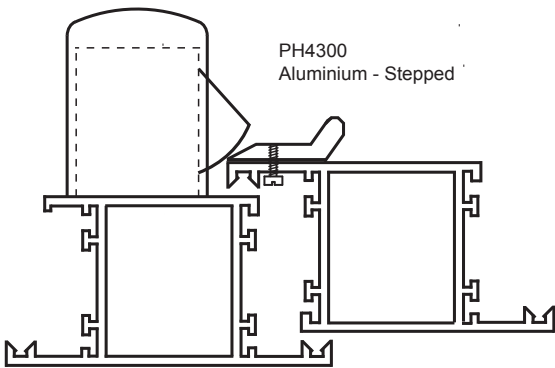
PH4303
 Timber - Flush



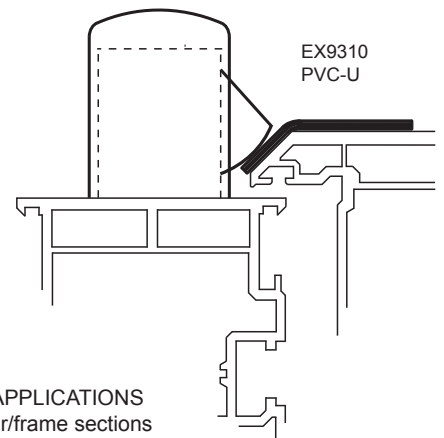
PH4300
 Steel - Flush



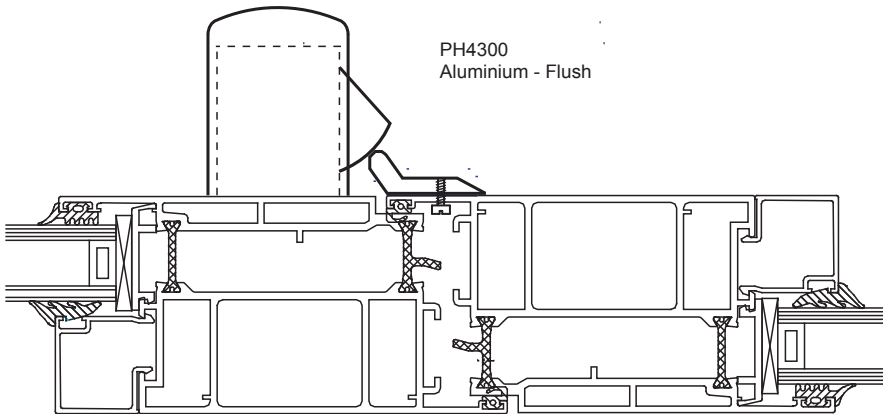
PH4300
 Aluminium - Stepped



EX9310
 PVC-U



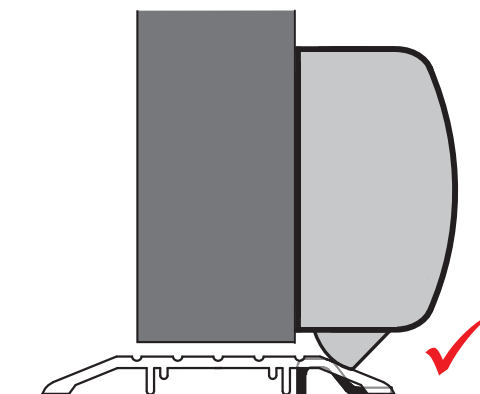
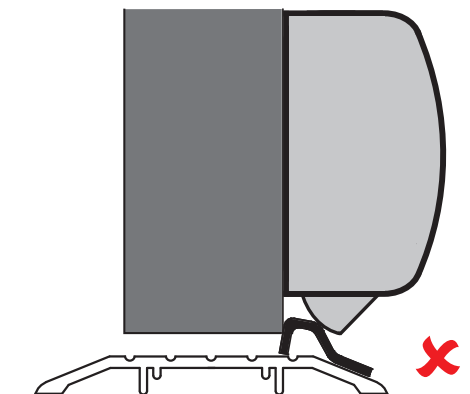
PH4300
 Aluminium - Flush



STRIKER APPLICATIONS
 Typical door/frame sections
 showing correct use of strikers

A range of PVC-U profile related
 strikers is also available

Floor strikers should be mounted
 on floor as shown. If aluminium
 low threshold strips are used the
 striker should be notched into
 aluminium section to comply with
 current legislation.



PH4304
 Floor Striker

