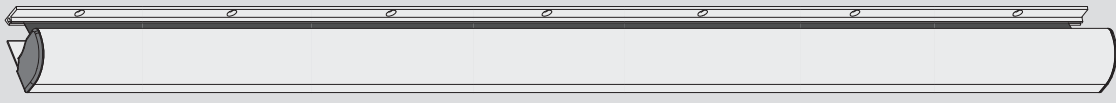
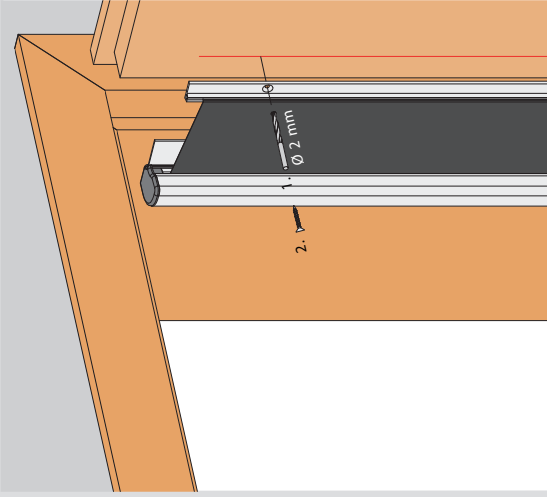
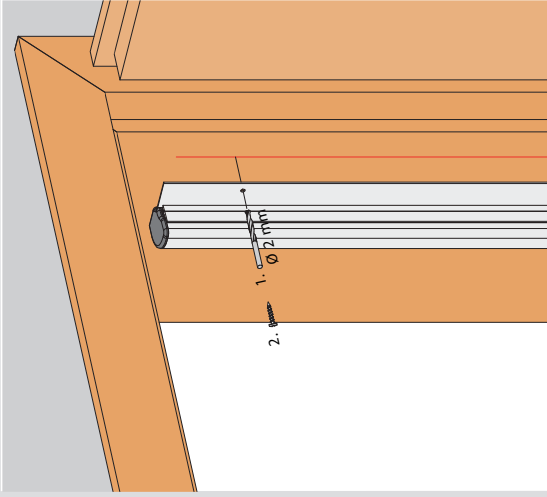
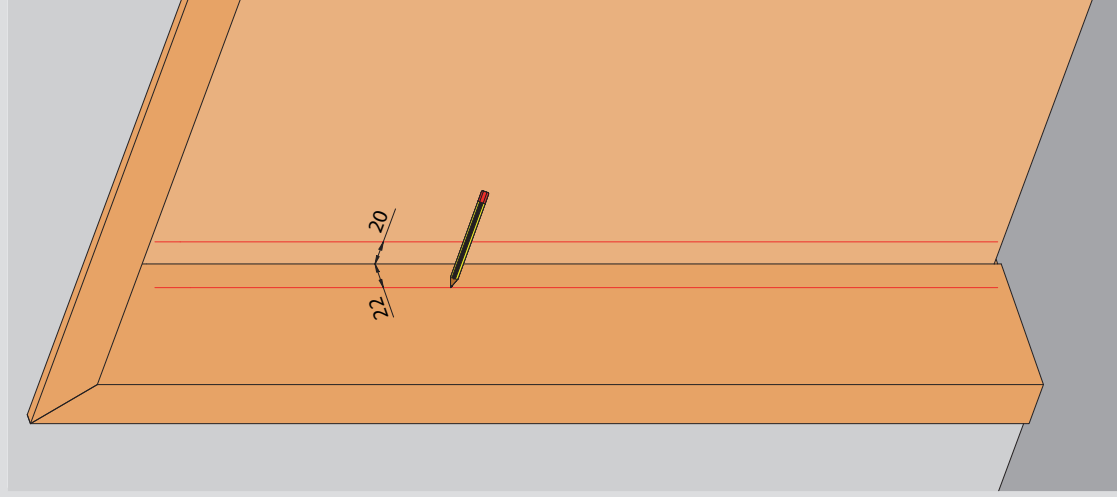


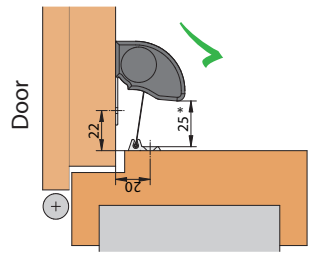
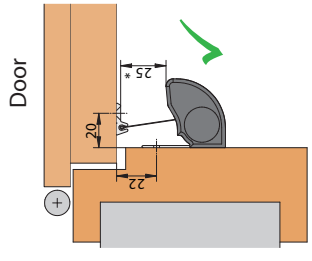
Included



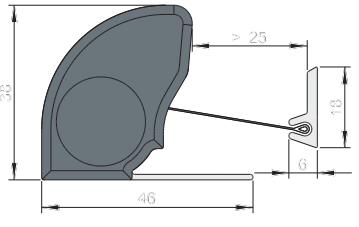
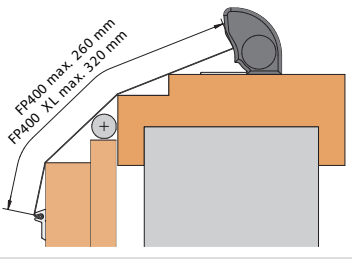
Fitting



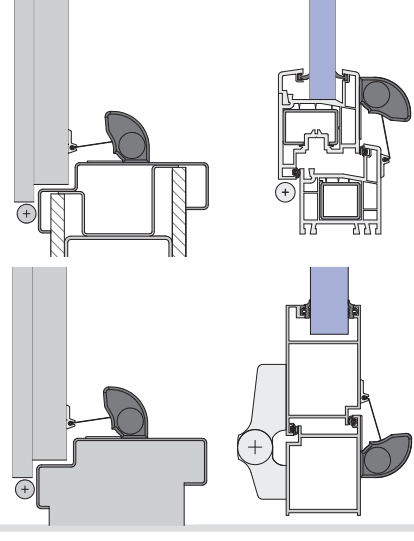
Technical Specification / Alternative installation applications



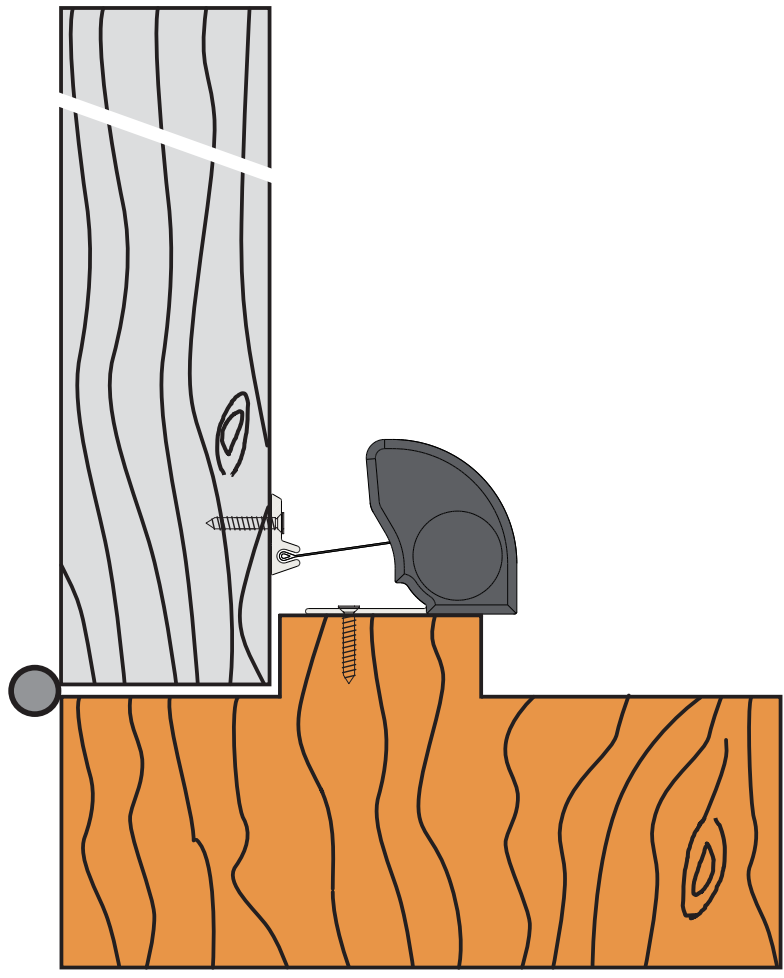
* 25 mm minimum distance required.



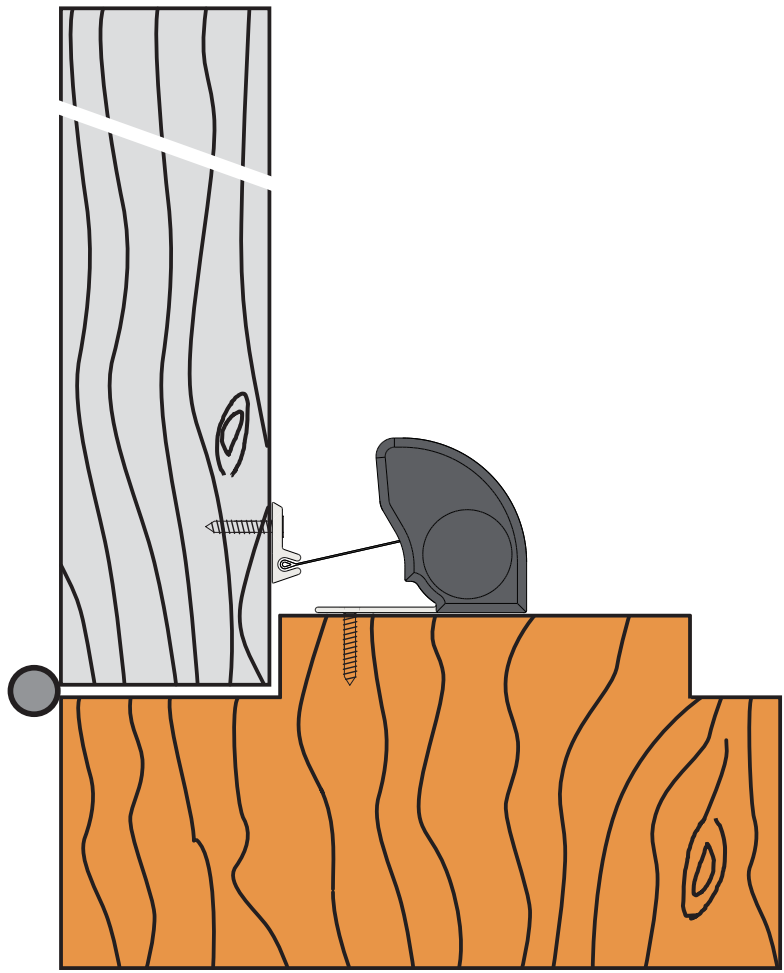
FP400 Dimensions



Installations for alternative door style / material.



**FP400 roller system
mounted on frame
with small door stop**



**FP400 roller system
mounted on frame
with 20mm gap**